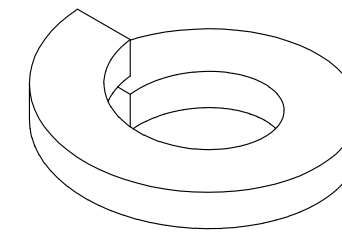
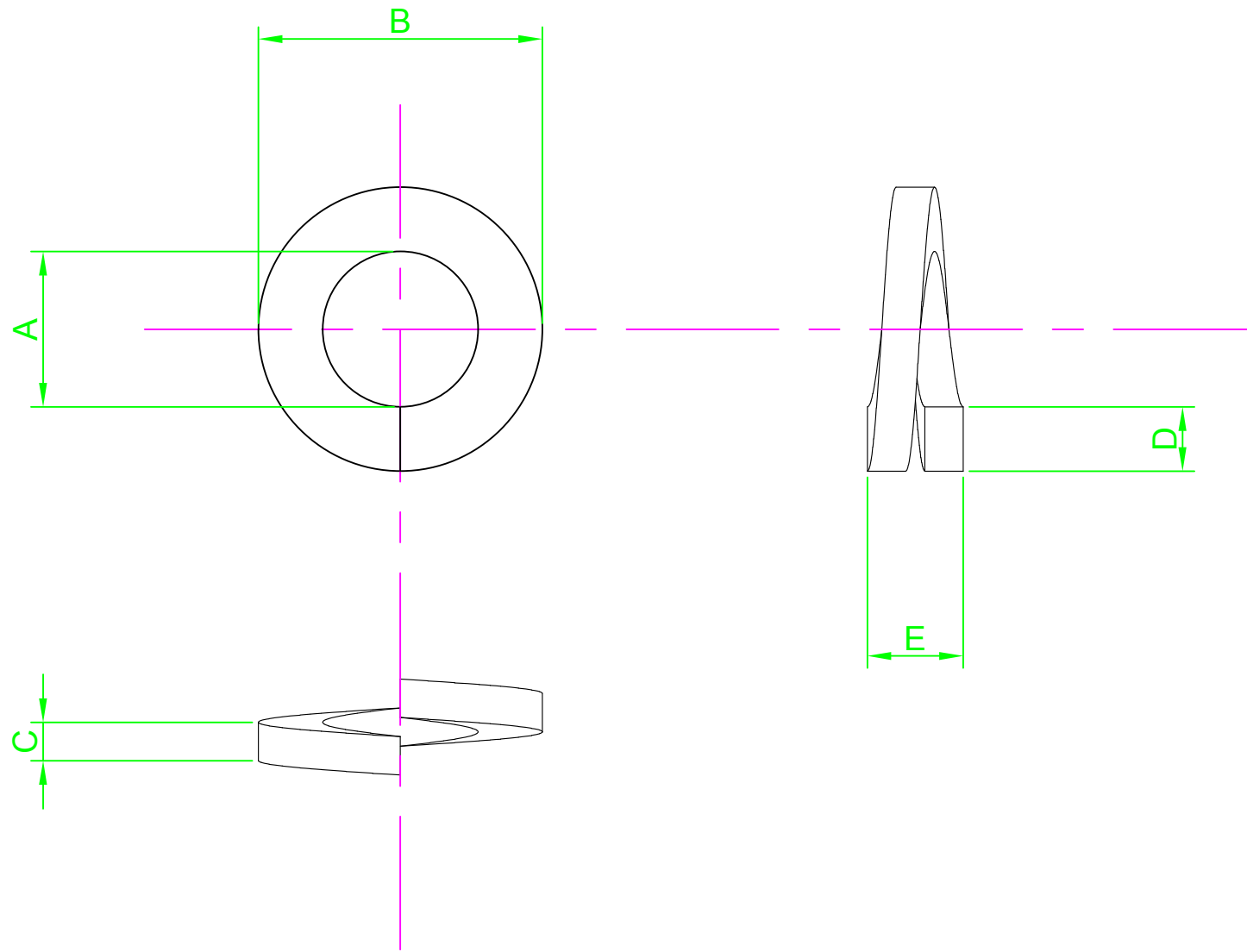


DO NOT SCALE DRAWING



REVISION

A INITIAL DRAWING 01.10.15

Part Number	ØA Max	ØB Max	C Nom	D Nom	E Max
DM2 - SRSTWAZ100	2.4	4.4	0.5	0.9	1.2
DM2.5 - SRSTWAZ100	2.9	5.1	0.6	1.0	1.4

NOTES:



DESIGN RIGHT. TR FASTENINGS LTD, 2003  
 UNDER NO CIRCUMSTANCES MUST THIS  
 DRAWING BE COPIED OR DISCLOSED  
 WITHOUT FIRST OBTAINING WRITTEN  
 AUTHORITY.

UNLESS OTHERWISE SPECIFIED:  
 DIMENSIONS ARE IN MM (MILLIMETERS).  
 SURFACE FINISH:  
 TOLERANCES: DIN127

	NAME	DATE
DRAWN	Darryl Wilson	01.10.15
CHK'D		
APPVD		

CUSTOMER PART NUMBER:  
 N/A

MATERIAL:  
 STEEL

HEAT TREATMENT:

FINISH:  
 TC1D - Commercial Zinc/Clear Cr3

TITLE:  
 Rectangular Section Spring Washer DIN127B

DRAWING NUMBER:  
 DSRSTWAZ100

A4

PROJECTION

