



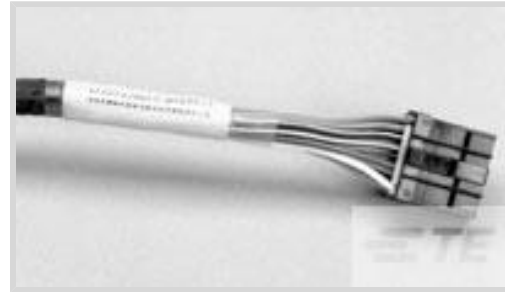
Raychem | Raychem RT-375

TE Internal #: 2432294007

TE Internal Description: RT-375-3/32-X-SP

[View on TE.com >](#)

Heat Shrink Tubing



Expanded Inside Diameter (Min): 2.36 mm [.093 in]

Recovered Inside Diameter (Max): 1.17 mm [.046 in]

Packaging Method: Spool

Flammability: **Highly Flame-Retardant**

Operating Temperature Range: -55 – 150 °C

Features

Product Type Features

Product Family	RT-375
Wall Type	Single

Electrical Characteristics

Voltage (Max)	.6 kV
---------------	-------

Body Features

Fluid Type	Aviation Fuel, De-Icing Fluid, Hydraulic Fluid, Lubricating Oil, Water
Material	Crosslinked Fluoropolymer
Shrink Ratio	2:1
Color	Clear
Flexibility	Flexible

Dimensions

Recovered Wall Thickness (Tolerance)	.1 mm[.004 in]
Recovered Wall Thickness (Nominal)	.25 mm[.01 in]
Expanded Inside Diameter (Min)	2.36 mm[.093 in]
Recovered Inside Diameter (Max)	1.17 mm[.046 in]

Usage Conditions

Fluid Resistance	Splash Protection
Shrink Temperature (Min)	125 °C

Flammability	Highly Flame-Retardant
Operating Temperature Range	-55 – 150 °C
Resistant To	Abrasion, Fluids, Mechanical Damage, Strain
Recovery Temperature	150 °C

Product Availability

Applicable Region	Global
-------------------	--------

Packaging Features

Packaging Method	Spool
------------------	-------

Other

Low Outgassing	No
Product Source	US

Product Compliance

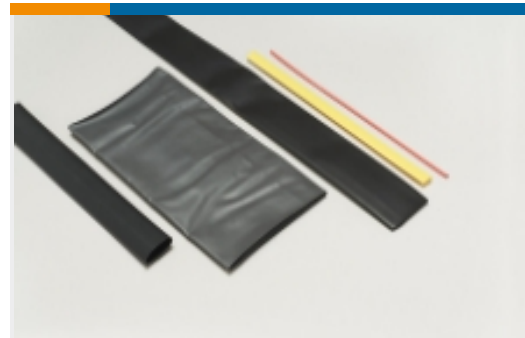
[For compliance documentation, visit the product page on TE.com>](#)

EU RoHS Directive 2011/65/EU	Compliant
EU ELV Directive 2000/53/EC	Compliant
China RoHS 2 Directive MIIT Order No 32, 2016	No Restricted Materials Above Threshold
EU REACH Regulation (EC) No. 1907/2006	Current ECHA Candidate List: JAN 2020 (205) Candidate List Declared Against: JAN 2020 (205) Does not contain REACH SVHC
Halogen Content	Not Yet Reviewed for halogen content
Solder Process Capability	Not applicable for solder process capability

Product Compliance Disclaimer

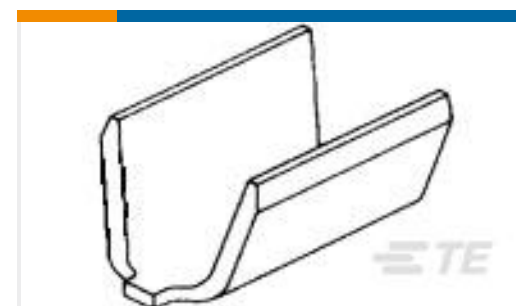
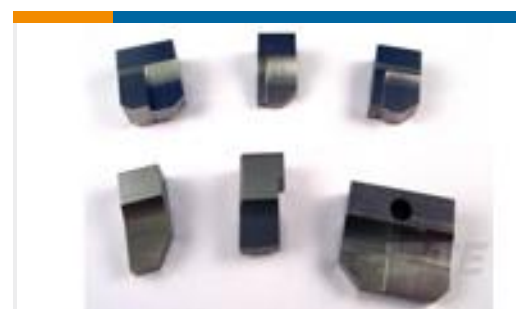
This information is provided based on reasonable inquiry of our suppliers and represents our current actual knowledge based on the information they provided. This information is subject to change. The part numbers that TE has identified as EU RoHS compliant have a maximum concentration of 0.1% by weight in homogenous materials for lead, hexavalent chromium, mercury, PBB, PBDE, DBP, BBP, DEHP, DIBP, and 0.01% for cadmium, or qualify for an exemption to these limits as defined in the Annexes of Directive 2011/65/EU (RoHS2). Finished electrical and electronic equipment products will be CE marked as required by Directive 2011/65/EU. Components may not be CE marked. Additionally, the part numbers that TE has identified as EU ELV compliant have a maximum concentration of 0.1% by weight in homogenous materials for lead, hexavalent chromium, and mercury, and 0.01% for cadmium, or qualify for an exemption to these limits as defined in the Annexes of Directive 2000/53/EC (ELV). Regarding the REACH Regulation, the information TE provides on SVHC in articles for this part number is based on the latest European Chemicals Agency (ECHA) 'Guidance on requirements for substances in articles' posted at this URL: <https://echa.europa.eu/guidance-documents/guidance-on-reach>

Also in the Series | Raychem RT-375



Heat Shrink Tubing(5)

Customers Also Bought

TE Model / Part #1393105-7
KRPA-5DY-24=KRPATE Model / Part #3-1393104-8
KRPA-11AY-240=KRPATE Model / Part #42563-6
FASTON 250 FLAG REC 12-10 AWG
SPHBZTE Model / Part #485020-1
SPLICE 6000-8000 .020 TPSTTE Model / Part #679857-2
CRIMPER, WIRE "F"TE Model / Part #459722-4
BLADE SHEARTE Model / Part #690750-5
ANVILTE Model / Part #9-1393101-0
KRP-11DG-6=KA/KB/KC/KR

Documents

Datasheets & Catalog Pages

Application Tooling for Raychem Heat Shrink Product

English

RT-375 Pages from 9-1773447-9

English

Very Clear, Thin-Wall, Flexible, Fluoropolymer Heat-Shrinkable Tubing

English

Measuring_Single_Wall_Tubing

English

Selecting_Correct_Tubing

English

Product Specifications

Tubing Customer Specification Report

English



Product Specification

English

Global Dimensional Life for RAYCHEM Heat Shrink Tubing Standard Size Products (Customer Distribution)

English

Product Specification

Japanese