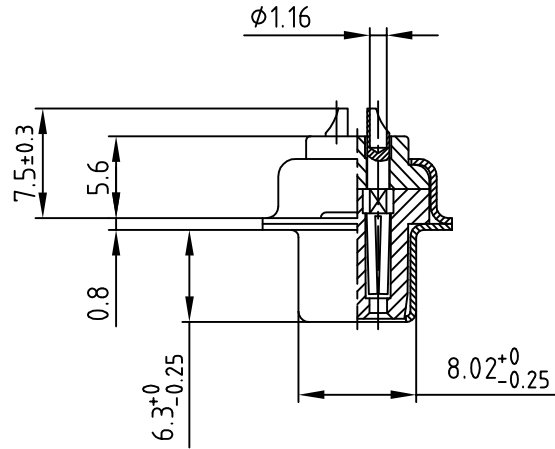
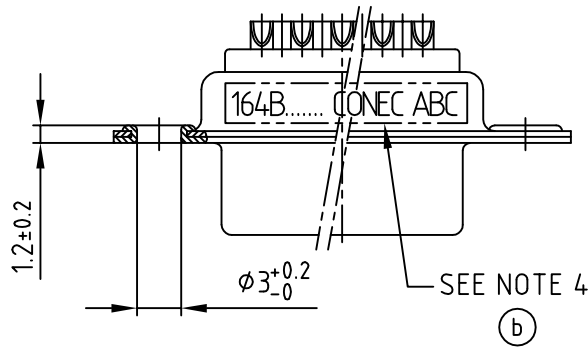
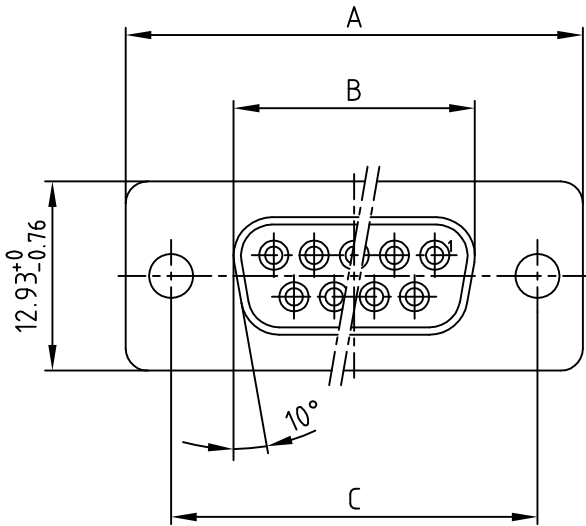


used for: D-SUB

POS.	A -0.76	B -0.25	C	Art.-NO.
9	31.19	16.46	25.00 $\begin{smallmatrix} +0.12 \\ -0.13 \end{smallmatrix}$	164B10019X
15	39.52	24.79	33.30 $\begin{smallmatrix} +0.15 \\ -0.1 \end{smallmatrix}$	164B10029X
25	53.42	38.50	47.04 ± 0.13	164B10039X
37	69.70	54.96	63.50 ± 0.13	164B10049X



(b) NOTES:

1. METALSHELLS: STEEL; min. 315µm TIN over 40-80µm NICKEL
2. INSULATORS: PBT GF UL 94 V-0, BLACK
3. CONTACTS: COPPER ALLOY
PLATING: min. 20µm HARD GOLD over min. 50µm NICKEL
ACCEPTS CABLE AWG 20
4. CONNECTOR IS PART MARKED: PART-NO CONEC ABC



THIS DRAWING MAY NOT BE COPIED OR REPRODUCED IN ANY WAY, AND MAY NOT BE PASSED ON TO A THIRD PARTY WITHOUT WRITTEN PERMISSION.
 OWNERSHIP AND COPYRIGHT OF CONEC GmbH
 DO NOT ALTER CAD DRAWING BY HAND

2 x b	Ä3198	27.11.08	Sonne
a	Origin		
rev.	description	date	name

tolerance				scale:	2:1
2001	date	name		material:	SEE NOTES
drawn	26.03.	Parei		title:	D-SUB FEMALE 9-37pos. SOLDER CUP
appd.	26.03.	E. Mickenbecker			
norm	DIN 41652				
d-old					
				dwg no:	AutoCAD 2000
				16K1A169A	
				part no:	SEE TABLE

				DIN-A	
				4	
				sh: 1/1	

THIS DRAWING MAY NOT BE COPIED OR REPRODUCED IN ANY WAY, AND MAY NOT BE PASSED ON TO A THIRD PARTY WITHOUT WRITTEN PERMISSION.
 OWNERSHIP AND COPYRIGHT OF CONEC GmbH
 DO NOT ALTER CAD DRAWING BY HAND