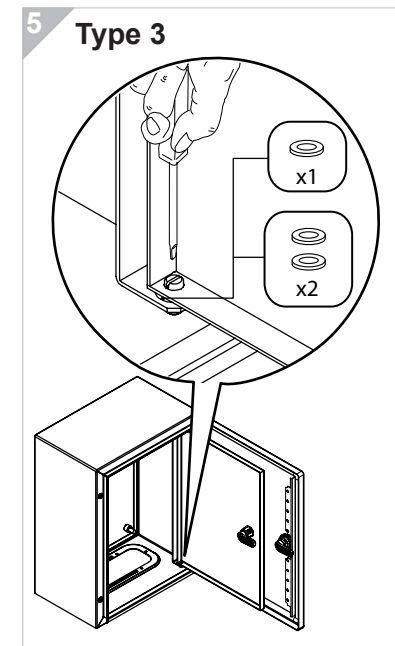
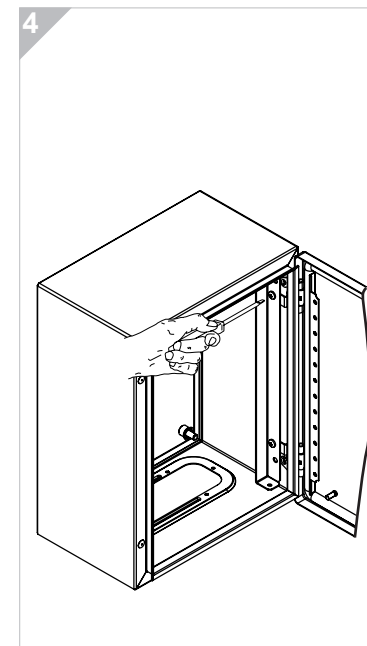
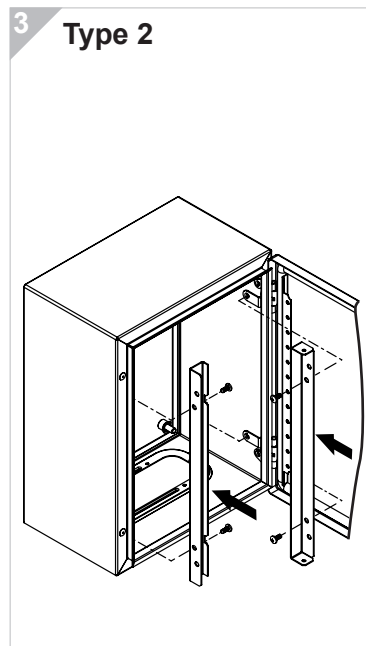
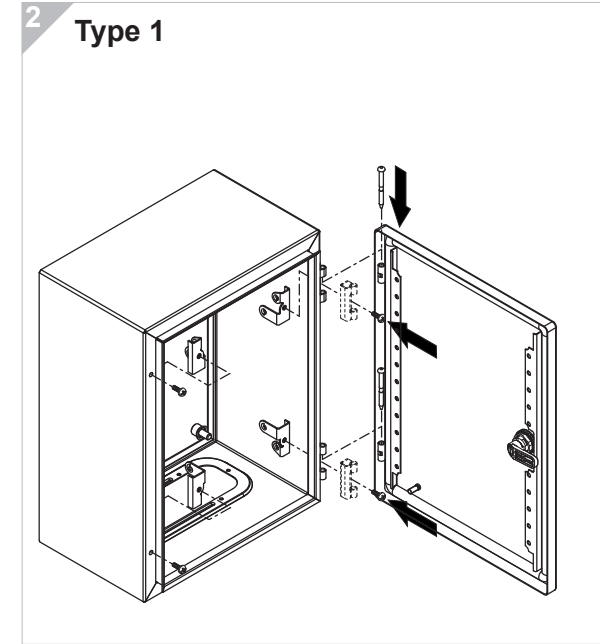
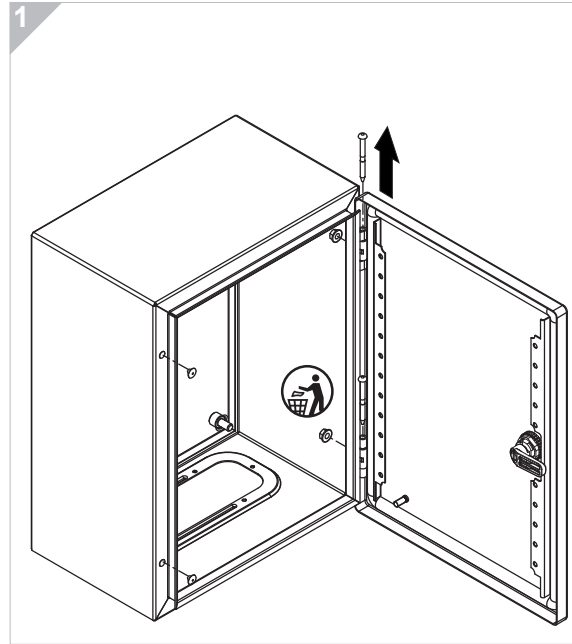
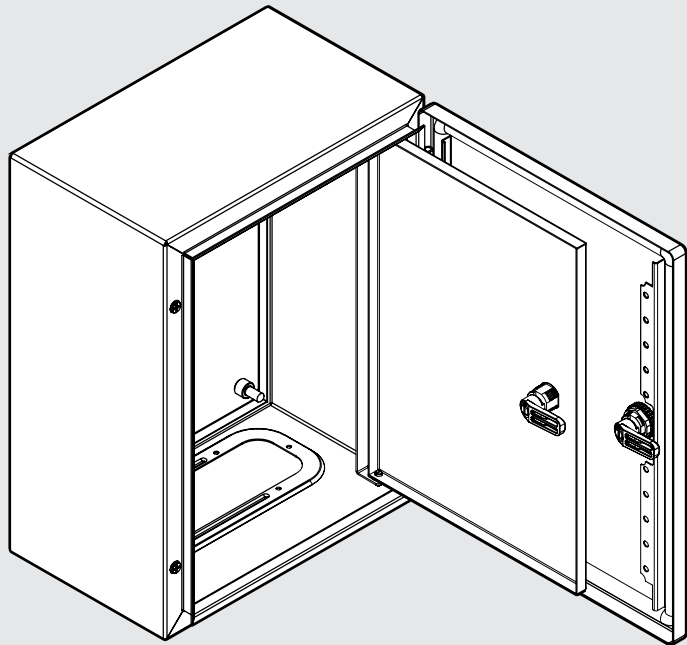


**A**

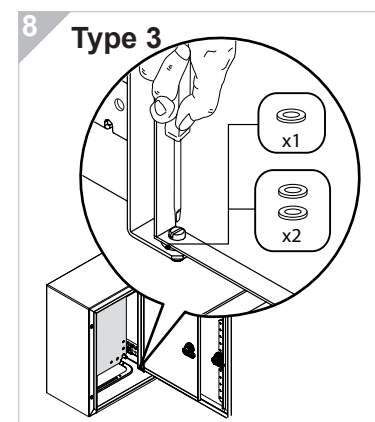
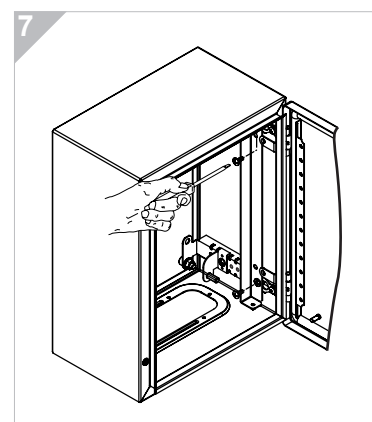
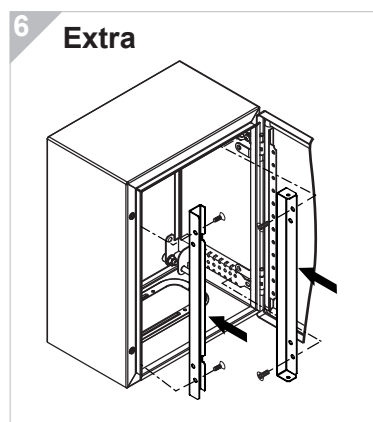
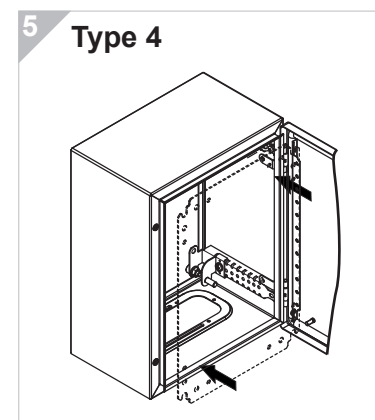
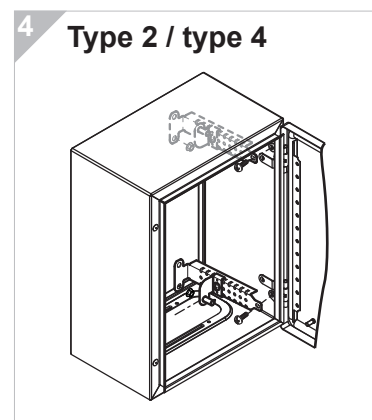
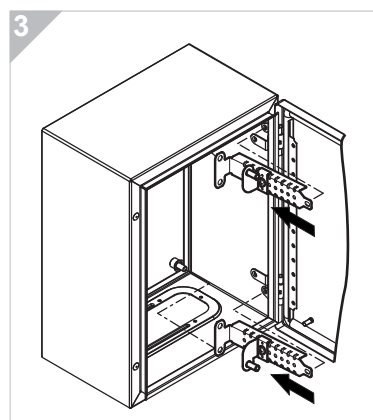
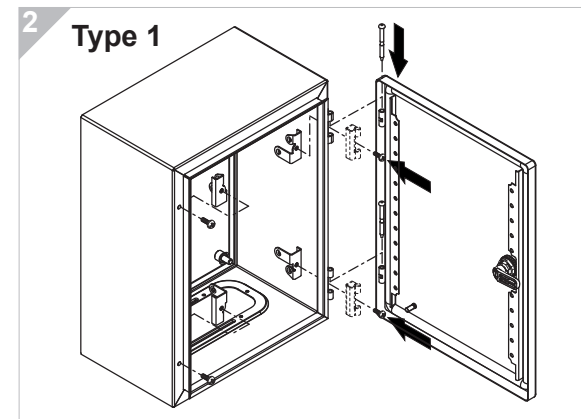
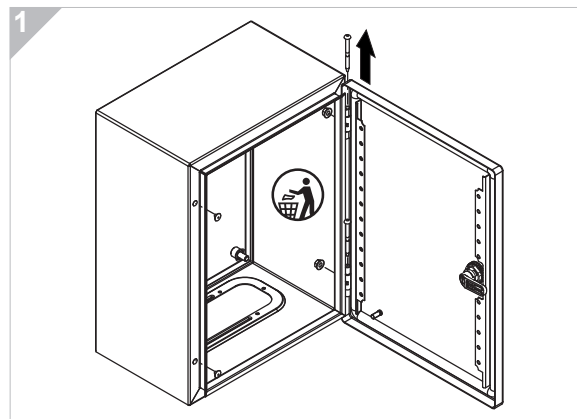
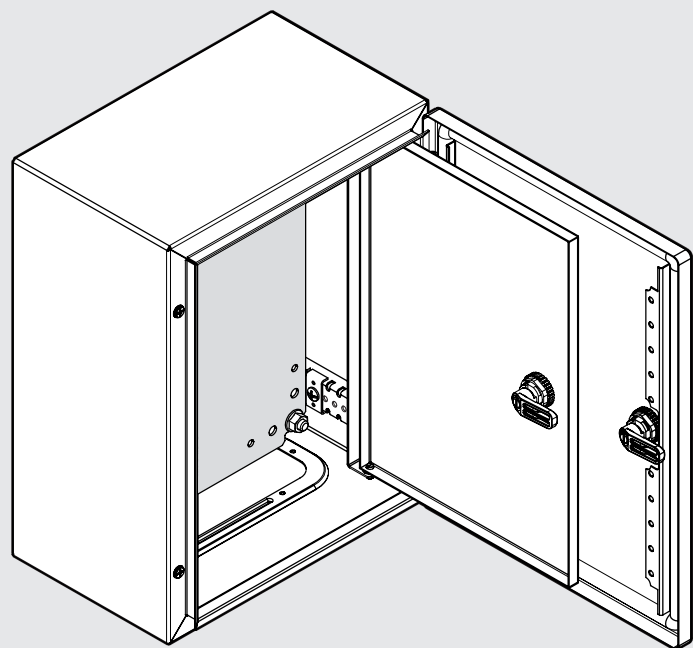
	<b>type 1</b> M6 3 Nm 26,55 lb-in		<b>type 2</b> 5'5 3 Nm 26,55 lb-in		<b>type 3</b> M8
--	--	--	---	--	---------------------





1.000x600		=		400x300
1.000x800				500x400
1.200x600				600x400
1.200x800				700x500 800x600




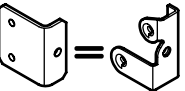

**Schneider**  
Electric

**A'**



 <b>type 1</b> M6 3 Nm 26,55 lb-in	 <b>type 2</b> 5'5 3 Nm 26,55 lb-in	 <b>type 3</b> M8	 <b>type 4</b> M8 3 Nm 26,55 lb-in
--	---	---	--

 <b>Extra</b> M6 / T30 3 Nm 26,55 lb-in
---

	1.000x600		400x300
	1.000x800		500x400
	1.200x600		600x400
	1.200x800		700x500 800x600

