

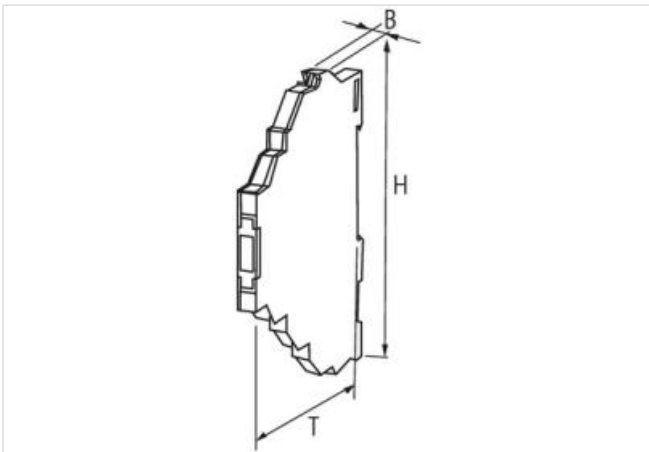
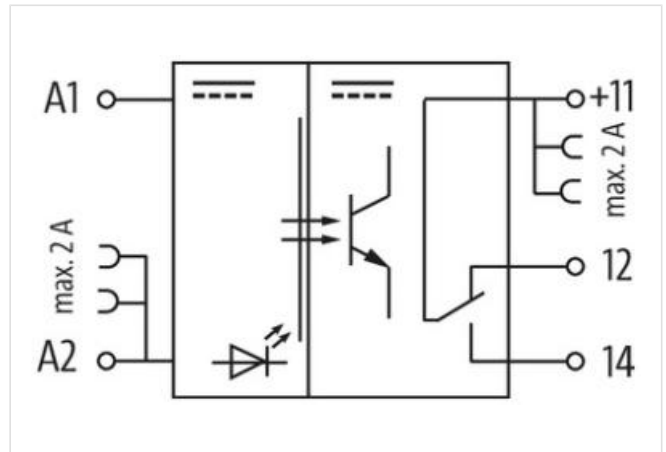
## MIRO TR 24VDC FK OPTO-COUPLER MODULE

IN: 53 VDC - OUT: 48 VDC / 0,5 A - 1 C/O contact

Transistor 0.5 A  
24 V DC  
electr. NO/NC contact  
Spring clamp terminals

### [Link to Product](#)

#### Illustration



Product may differ from Image



#### Commercial data

ECLASS-6.0	27371601
ECLASS-6.1	27371604
ECLASS-7.0	27371604
ECLASS-8.0	27371604
ECLASS-9.0	27371604
ECLASS-10.1	27371604

ECLASS-11.1	27371604
ECLASS-12.0	27371604
ETIM-5.0	EC001504
customs tariff number	85414900
GTIN	4048879021807
Packaging unit	1

**Electrical data | Input**

Input voltage OFF DC min.	0 V
Input voltage OFF DC max.	5 V
Input voltage DC min.	10 V
Input voltage DC max.	53 V
Current input DC	6,5 mA

**Electrical data | Output**

Switch off delay max.	150 µs
Quiescent current OFF max.	0,1 mA
Switching frequency max.	10 Hz
Voltage switching DC min.	5 V
Switching voltage DC max.	48 V
Switching current min.	0,1 mA
Switching current max.	0,5 A
Voltage drop DC max.	1,2 V

**Diagnostics**

Status indication LED	yellow
-----------------------	--------

**Device protection | Electrical**

Rated insulation voltage	3750 V
--------------------------	--------

**Device protection | Media**

Flame resistance	flame retardant
------------------	-----------------

**Mechanical data | Material data**

Color housing	black
Material housing	Plastic

**Mechanical data | Mounting data**

Mounting method	geschnappt
Suitable for mounting type	mounting rail, (EN 60715)
Height	91 mm
Width	6,2 mm
Depth	70 mm

**Environmental characteristics | Climatic**

Operating temperature min.	-20 °C
Operating temperature max.	60 °C

**Connection type 5**

Connection	Spring clamp terminals FK
Family construction form	terminal
Gender	female
Color contact carrier	black
No. of poles	1
PIN 1	11
Connection	Spring clamp terminals FK
Family construction form	terminal
Gender	female
Color contact carrier	black

No. of poles	1
PIN 1	12
Connection	Spring clamp terminals FK
Family construction form	terminal
Gender	female
Color contact carrier	black
No. of poles	1
PIN 1	14
Connection	Spring clamp terminals FK
Family construction form	terminal
Gender	female
Color contact carrier	black
No. of poles	1
PIN 1	A 1
Connection	Spring clamp terminals FK
Family construction form	terminal
Gender	female
Color contact carrier	black
No. of poles	1
PIN 1	A 2