

Housing set - EH 22,5-KIT-B+CDS/ABS-PC-7035 + 2MKDS34 - 1311034

Please be informed that the data shown in this PDF Document is generated from our Online Catalog. Please find the complete data in the user's documentation. Our General Terms of Use for Downloads are valid (<http://phoenixcontact.com/download>)



Empty enclosure for mounting on a DIN rail, light gray (7035), width: 22.6 mm, height: 77 mm, depth: 107.2 mm, incl. 2 PCB terminal blocks, 4-pos., screw connection, for 2.5 mm², nominal current: 24 A, 400 V, PCB surface: 9920 mm²



Key Commercial Data

| | |
|----------------------|---------------|
| Packing unit | 1 pc |
| GTIN | |
| GTIN | 4063151585365 |
| Custom tariff number | 85369010 |

Technical data

Item properties

| | |
|------------------------------|---|
| Brief article description | Housing set |
| Type | EH 22,5-KIT-B+CDS/ABS-PC-7035 + 2MKDS34 |
| Item no. | 1311034 |
| Housing type | DIN rail housing |
| Housing series | EH |
| Range of articles | EH 22,5 |
| Type | Lower housing part with base latch, tall design |
| Max. IP code to attain | IP20 |
| Mounting type | DIN rail mounting |
| Connection levels | 1 (Both sides) |
| Ventilation openings present | yes |
| Number of positions | 8 (pitch: 3.08 mm) |

Dimensions

| | |
|---------|---|
| Caption | Schematic figure for illustrating the item dimensions. The figure is not of the desired product. For further details, refer to the product drawings in the "Downloads" tab. |
|---------|---|

Housing set - EH 22,5-KIT-B+CDS/ABS-PC-7035 + 2MKDS34 - 1311034

Technical data

Dimensions

| | |
|---------------------------------------|----------------------------------|
| Width [w] | 22.6 mm |
| Height [h] | 77 mm |
| Depth [d] | 107.2 mm |
| Depth from top edge of DIN rail [d] | 102.9 mm |
| Dimensions | 69.8 mm x 66 mm (PCB dimensions) |

PCB data

| | |
|-----------------------|--------------------------|
| Number of PCB holders | 1 |
| PCB thickness | 1.4 mm ... 1.8 mm |
| Mounting position | parallel to the DIN rail |
| PCB surface, maximum | 4600 mm ² |
| Type of PCB mount | Latching |

Material specifications - lower housing part

| | |
|--|-------------------|
| Material | ABS-PC |
| Color (RAL) | light gray (7035) |
| Flammability rating according to UL 94 | V0 |

Material specifications - upper housing part

| | |
|--|-------------------|
| Material | ABS-PC |
| Color (RAL) | light gray (7035) |
| Flammability rating according to UL 94 | V0 |

Ambient conditions

| | |
|---|---|
| Ambient temperature (storage/transport) | -40 °C ... 55 °C |
| Ambient temperature (assembly) | -5 °C ... 80 °C |
| Ambient temperature (operation) | -40 °C ... 80 °C (depending on power dissipation) |
| Relative humidity (storage/transport) | 95 % |

General information

| | |
|--------------|--|
| Type of note | Assembly instruction: |
| Note | Please observe the assembly instructions available in the download area. |

Packaging information

| | |
|----------------------------|---------------------|
| Type of packaging | packed in cardboard |
| Pieces per package | 1 |
| Denomination packing units | Pcs. |
| Outer packaging type | Carton |

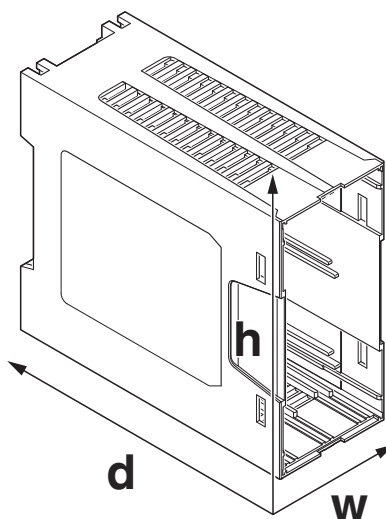
Standards and regulations

| | |
|--|----|
| Flammability rating according to UL 94 | V0 |
|--|----|

Drawings

Housing set - EH 22,5-KIT-B+CDS/ABS-PC-7035 + 2MKDS34 - 1311034

Dimensional drawing



Schematic figure for illustrating the item dimensions. The figure is not of the desired product. For further details, refer to the product drawings in the "Downloads" tab.

Articles in set

PCB terminal block - MKDS 3/ 4-5,08 - 1712805



PCB terminal block, nominal current: 24 A, rated voltage (III/2): 400 V, nominal cross section: 2.5 mm², number of potentials: 4, Number of rows: 1, Number of positions per row: 4, product range: MKDS 3, pitch: 5.08 mm, connection method: Screw connection with tension sleeve, screw head form: L Slotted, mounting: Wave soldering, conductor/PCB connection direction: 0 °, color: green, Pin layout: Linear pinning, Solder pin [P]: 5 mm, type of packaging: packed in cardboard. The article can be aligned to create different nos. of positions!

Classifications

eCl@ss

| | |
|---------------|----------|
| eCl@ss 10.0.1 | 27182702 |
| eCl@ss 11.0 | 27182702 |
| eCl@ss 9.0 | 27182702 |