

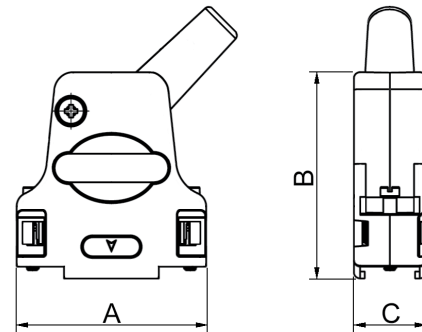
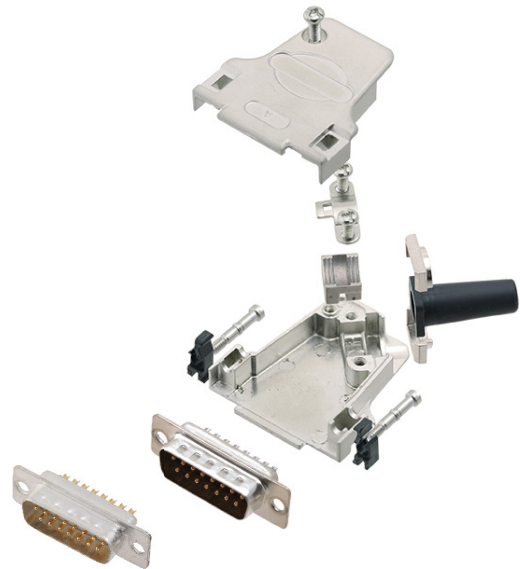
TECHNICAL SPECIFICATIONS

D-Sub Hood:

Material: Zinc, Nickel Plated
 Operating Temperature: -45°C to + 105°C
 Cable Entry: Side Entry
 Thumbscrews: UNC 4-40 (Standard)
 Cable O.D:
 9-Way: Up to 9,5mm
 15-Way: Up to 12,5mm
 25-Way: Up to 12,5mm
 37-Way: Up to 15,5mm

Male D-Sub Solder Cup:

Insulator: PBT, Black, UL94 V-0
 Shell: Steel, Tin Plated
 Contact pins: Copper Alloy
 Stamped & Formed Pins: Class 3, 100 inserts min.
 Machined Contact Pins: Class 1, 500 inserts min.
 Contact Plating: Selective Gold over Nickel
 Operating Temperature: -55°C to +105°C
 Withstanding voltage: 1000V for 1 minute
 Insulator resistance: 1000MΩ min.



Features:

- Available in sizes 9-15-25-37
- Excellent EMI Shielding
- Re-openable
- Spring-Clip mounted Jackscrews

Size D45ZF	Dim A	Dim B	Dim C
9-way	31,6	39,5	15,2
15-way	40,0	41,0	15,2
25-way	53,7	47,5	15,2
37-way	70,2	48,0	15,2

Ordering information - Black Insulator:

Size:	P/N - Kitted:	Class 3 - 100 inserts min.
9-way	6355-0046-01	D45ZF09-DBP-K
15-way	6355-0046-02	D45ZF15-DBP-K
25-way	6355-0046-03	D45ZF25-DBP-K
37-way	6355-0046-04	D45ZF37-DBP-K

Size:	P/N - Kitted:	Class 1 - 500 inserts min.
9-way	6355-0047-01	D45ZF09-DMP-K
15-way	6355-0047-02	D45ZF15-DMP-K
25-way	6355-0047-03	D45ZF25-DMP-K
37-way	6355-0047-04	D45ZF37-DMP-K

Ordering information - White Insulator:

Size:	P/N - Kitted:	Class 3 - 100 inserts min.
9-way	6355-8046-01	D45ZF09-DBP-W-K
15-way	6355-8046-02	D45ZF15-DBP-W-K
25-way	6355-8046-03	D45ZF25-DBP-W-K
37-way	6355-8046-04	D45ZF37-DBP-W-K

Size:	P/N - Kitted:	Class 1 - 500 inserts min.
9-way	6355-8047-01	D45ZF09-DMP-W-K
15-way	6355-8047-02	D45ZF15-DMP-W-K
25-way	6355-8047-03	D45ZF25-DMP-W-K
37-way	6355-8047-04	D45ZF37-DMP-W-K

