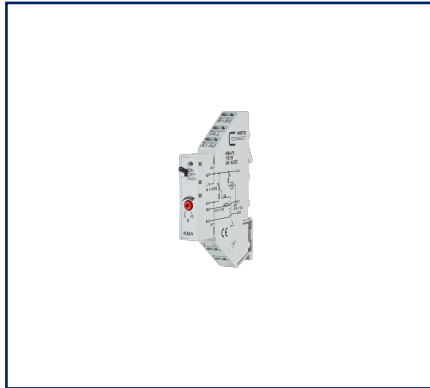
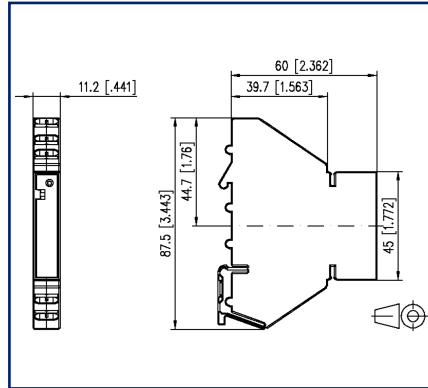


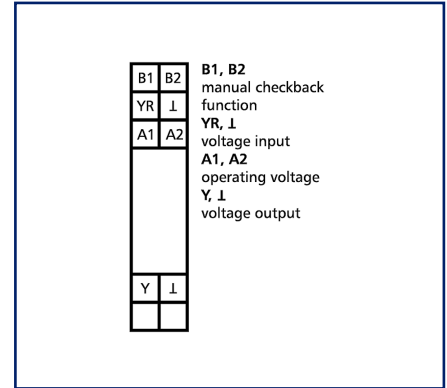
## Illustrations



Dimensional drawing



Wiring diagram



See enlarged drawings at the end of document

## Product specification

The analog encoder is used as encoder for manual control variable definition, e.g. mixing valves, valve positions, temperature values, etc. The module can be operated in three modes, which can be commuted by means of integrated three-level switches (ON, OFF, AUTO). The switch position is signalized by external control contact terminals B1 and B2. The control variable can be set on the potentiometer at the front. The output signal 0 to 10 V is available on the Y terminal. If the switch is in AUTO position, the control variable is looped through over the YR terminal to the Y output without change.

- Connection by spring clamp terminal blocks (push-in)
- Setpoint device
- Manual control level with checkback
- LED brightness proportional to control variable

## Technical Data

| <b>Supply</b>                              |   |
|--|---|
| Operating voltage                          | 24 V AC/DC -15% ... +20%                                |
| Power consumption AC (max.)                | 30 mA   |
| Power consumption DC (max.)                | 19 mA   |
| Duty cycle relative                        | 100 %   |
| <b>Manual control level</b>                |   |
| Mechanical life                            | 1x10 <sup>3</sup> switching cycles                      |
| Switching capacity (min.)                  | 3 V AC/DC / 50 µA                                       |
| Switching capacity (max.)                  | 24 V AC/DC / 50 mA                                      |
| Test voltage                               | 100 V, 50 Hz, 1 min                                     |
| <b>Inputs</b>                              |   |
| Voltage input (YR)                         | 0 - 10 V DC   |
| <b>Outputs</b>                             |   |
| Voltage output (Y)                         | 0 - 10 V DC   |
| Output current (max.) switch position "ON" | 1 mA - 10 mA  |
| Switch AUTO/ON                             | shortcircuit proof                                      |
| Indicator                                  | red LED   |
| <b>Housing</b>                             |   |
| Dimensions                                 |   |
| Dimension (W x H x D)                      | 11.2 mm x 87.5 mm x 60 mm                               |
| Dimension (W x H x D)                      | 0.441 in. x 3.445 in. x 2.362 in.                       |
| Weight                                     | 43 g  |
| Mounting style                             | Standard rail TH35                                      |
| Mounting position                          | any   |
| Apposition                                 | without distance  |
| Connection type                            | Spring clamp terminal blocks                            |
| <b>Terminal blocks</b>                     |   |
| Wire cross section solid                   | 0.08 mm <sup>2</sup> - 2.5 mm <sup>2</sup> / AWG 28-14  |
| Wire cross section multi                   | 0.08 mm <sup>2</sup> - 0.75 mm <sup>2</sup> / AWG 28-18 |
| Wire cross section with wire ferrule       | 0.08 mm <sup>2</sup> - 0.75 mm <sup>2</sup> / AWG 28-20 |
| Stripping length (min.)                    | 10 mm   |

## Technical Data

| Material  |                 |
|---|-----------------|
| Material - Housing  | Polyamid 6.6 V0 |
| Color   | gray            |
| Material - Terminal block                                 | Polyamid 6.6 V0 |
| Protection category according to IEC 60529                |                 |
| Protection category - housing (acc. to IEC 60529)         | IP40            |
| Protection category - terminal blocks (acc. to IEC 60529) | IP20            |
| Temperature range   |                 |
| Operating   |                 |
| Temperature - Operating °C                                | -5 °C - 55 °C   |
| Temperature - Operating °F                                | 23 °F - 131 °F  |
| Storage   |                 |
| Temperature - Storage °C                                  | -20 °C - 70 °C  |
| Temperature - Storage °F                                  | -4 °F - 158 °F  |
| Power loss  |                 |
| Power loss (typical) during 24 V DC operation             | 390 mW          |
| Power loss (typical) during 24 V AC operation             | 530 mW          |
| Classifications   |                 |
| ETIM 6.0  | EC000310        |
| ETIM 7.0  | EC000310        |
| ETIM 8.0  | EC000310        |

# C | Logline

Data sheet  
**KMA-F8**

Page 4/6

P/N  
**110730**

**EAN 4250184123224**

2023/06/23

Version: C

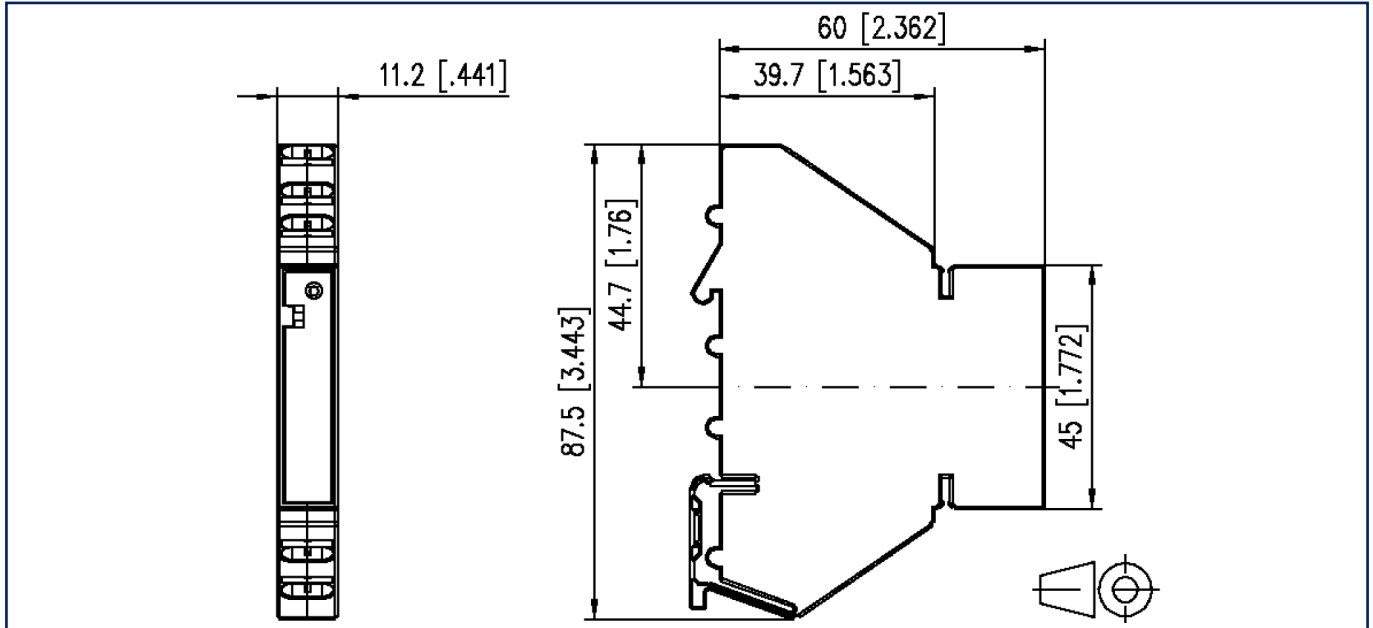
## Accessories

| P/N    | Designation                |
|--------|----------------------------|
| 110727 | Labeling plate for KMA-F8  |
| 110728 | Connecting bridge, 10 pole |

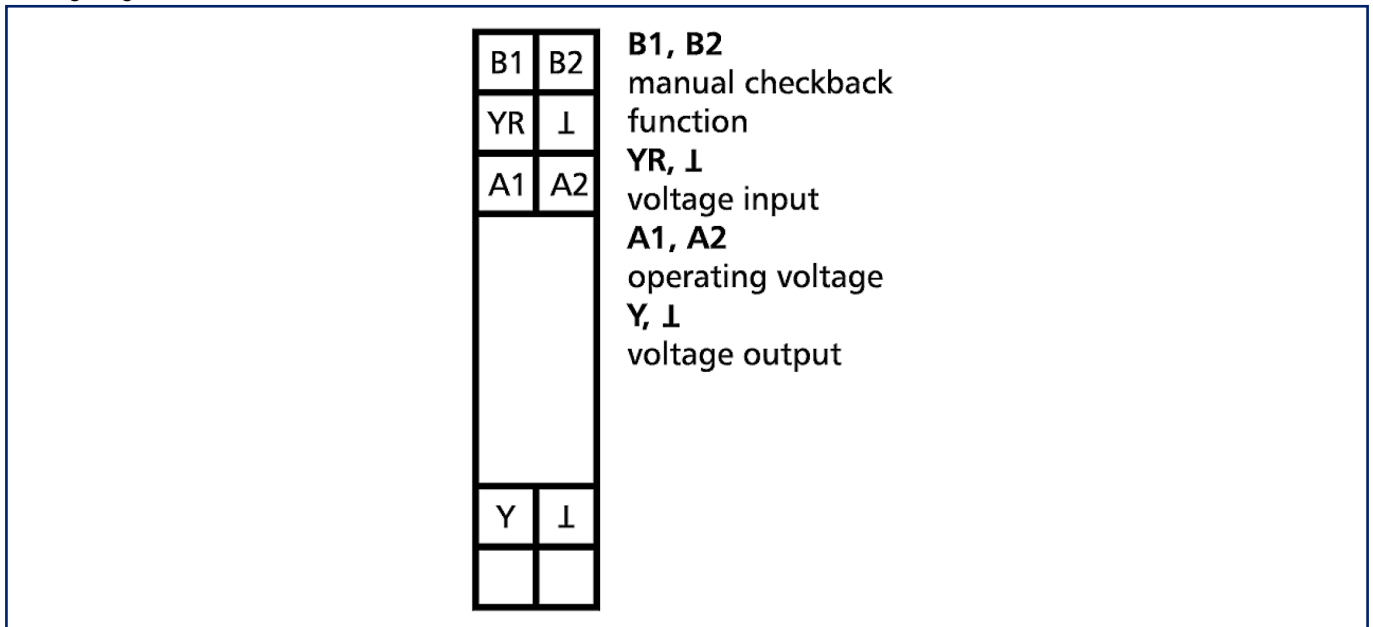


## Illustrations

Dimensional drawing

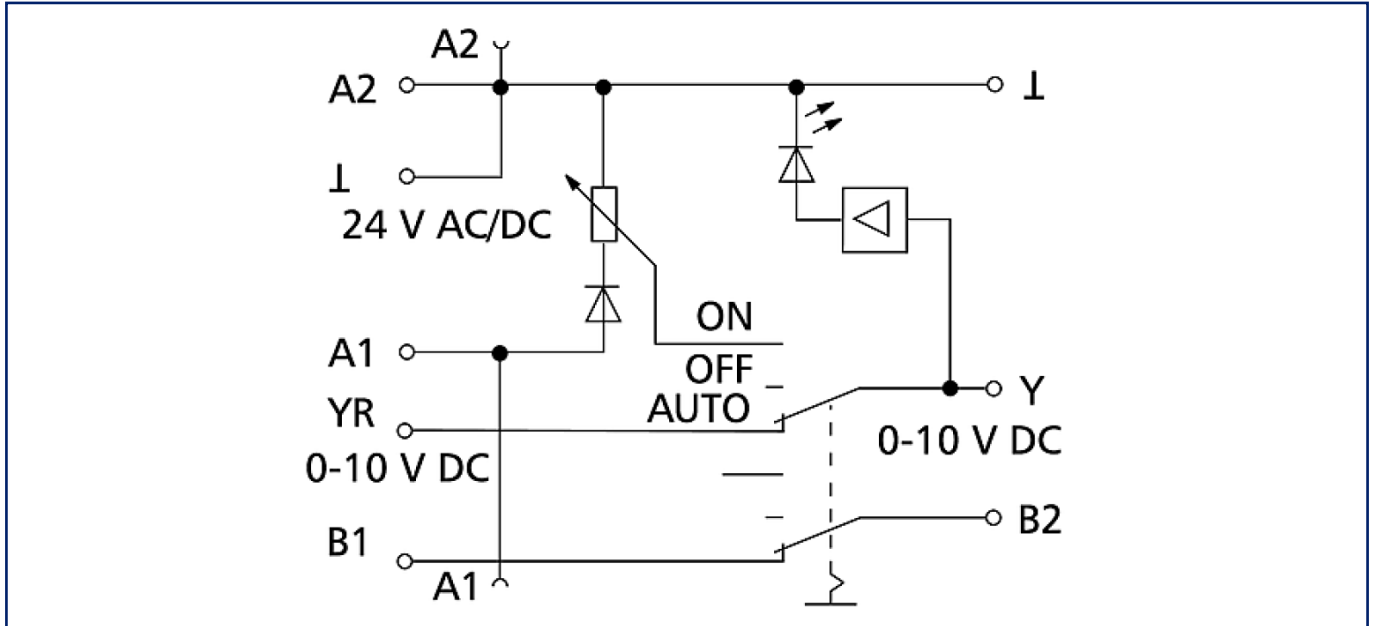


Wiring diagram



**Illustrations**

Circuit diagram



© 2023 METZ CONNECT - Technische Änderungen vorbehalten! Subject to modifications! Sous réserve de modifications techniques!