

**Fittings  
Super High  
Pressure**

**Armaturen  
Super-  
hochdruck**

**Raccords  
très haute  
pression**

**Raccordi  
altissima  
pressione**

**Racores  
presiones muy  
elevadas**

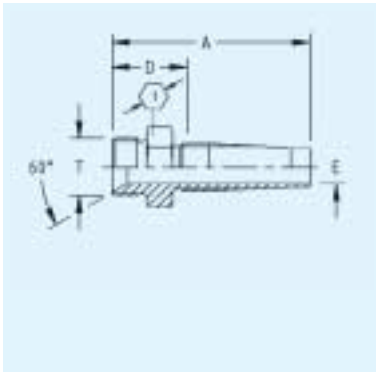
**BSP Male  
Parallel, Cone 60°**

**Außengewinde-  
anschluss/BSP,  
60° Konus**

**Mâle BSP  
cylindrique, cone  
60°**

**Maschio gas**

**Macho fijo/BSP**



Part Number	Thread T	Flange	Tube O.D. mm	Hose ND	Hose Size	A	D	H	E	K Ø	HEX [1]	HEX [2]
						mm	mm	mm	mm	mm		
11.020-8-8	G 1/2"			12	-8	74,5	36		10,0		24	
11.020-10-10	G 5/8"			16	-10	78,5	38		13,0		24	
11.020-12-10	G 3/4"			16	-10	79,5	39		13,0		27	
11.020-12-12	G 3/4"			19	-12	90,0	42		15,5		27	
11.020-16-12	G 1"			19	-12	93,5	46		15,5		36	
11.020-16-16	G 1"			25	-16	104,5	54		20,5		36	

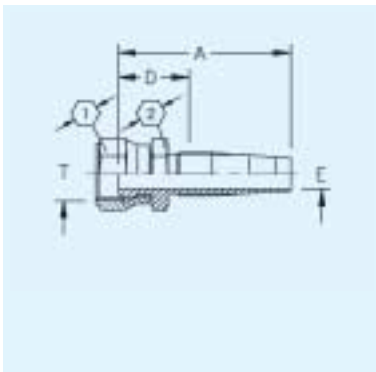
**BSP Female  
Swivel**

**BSP-Dichtkopf**

**Globeseal BSP**

**Femmina girevole  
gas**

**Hembra loca BSP**



Part Number	Thread T	Flange	Tube O.D. mm	Hose ND	Hose Size	A	D	H	E	K Ø	HEX [1]	HEX [2]
						mm	mm	mm	mm	mm		
11.420-8-8	G 1/2"			12	-8	73,5	34,5		10,0		27	27
11.420-10-10	G 5/8"			16	-10	75,0	36,0		13,0		27	27
11.420-12-12	G 3/4"			19	-12	87,5	40,0		15,5		32	32
11.420-16-16	G 1"			25	-16	100,5	49,5		20,5		41	41

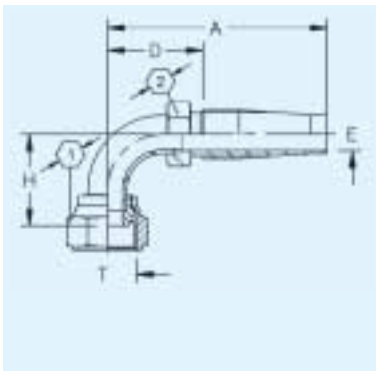
**BSP Female  
Swivel, 90° Elbow**

**BSP-Dichtkopf,  
90° Krümmer**

**Globeseal BSP,  
coude 90°**

**Femmina girevole  
gas, a 90°**

**Hembra loca BSP  
acodado a 90°**



Part Number	Thread T	Flange	Tube O.D. mm	Hose ND	Hose Size	A	D	H	E	K Ø	HEX [1]	HEX [2]
						mm	mm	mm	mm	mm		
11.139-8-8	G 1/2"			12	-8	81,0	42,0	31,8	10,0		27	19
11.139-10-10	G 5/8"			16	-10	86,0	45,5	36,0	13,0		27	22
11.139-12-12	G 3/4"			19	-12	115,5	68,0	55,7	15,5		32	27
11.139-16-16	G 1"			25	-16	140,5	89,5	69,2	20,5		41	32