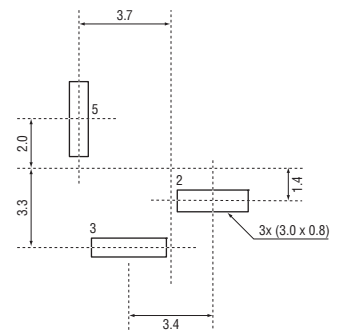
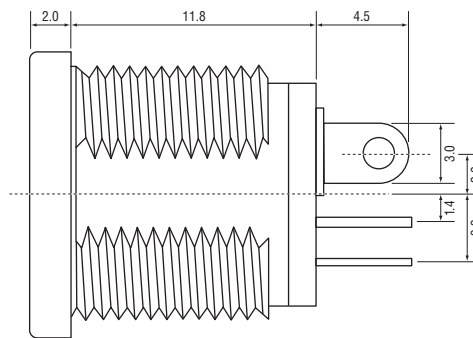
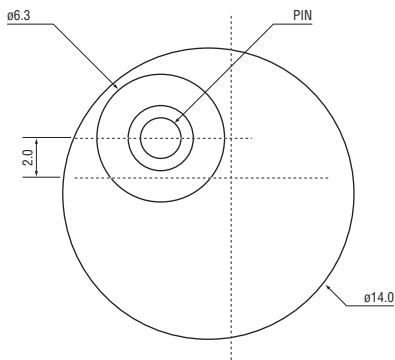


Chassis Mounting Single Hole Fixing DC Power Socket



Order code	20-0988	20-0989
PIN	ø2.1	ø2.5



Schematic

