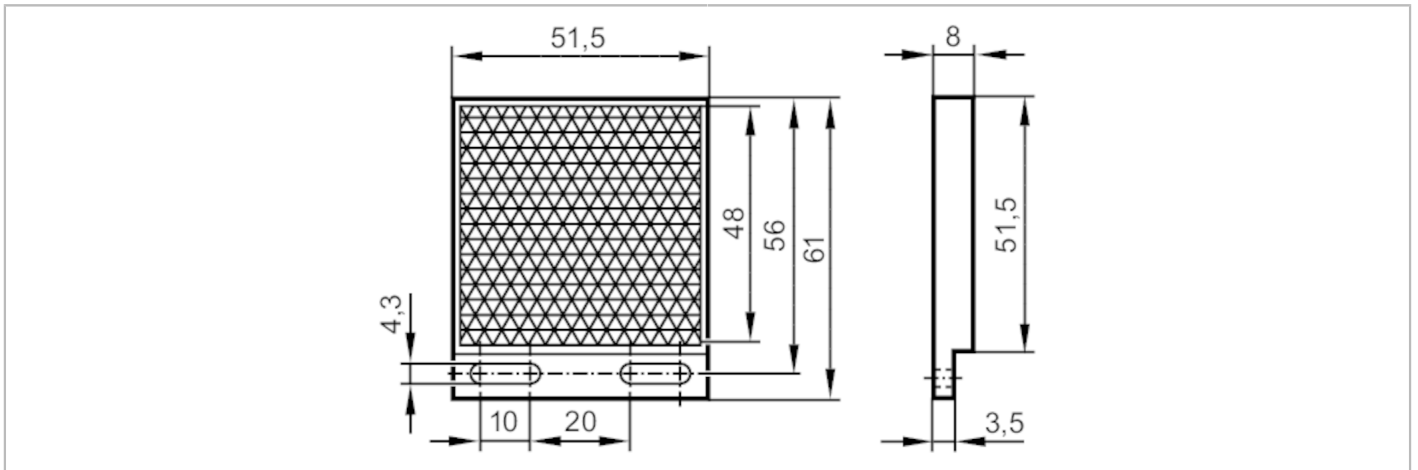


E21299



Reflector for retro-reflective sensors

REFLECTOR TS-48X48



Application

Design rectangular, for red light and infrared light retro-reflective sensors

Operating conditions

Ambient temperature [°C] -10...60

Mechanical data

Weight [g] 17.8

Dimensions [mm] 61 x 51.5 x 8

Materials front panel: PMMA; base: ABS

Remarks

Pack quantity 1 pcs.