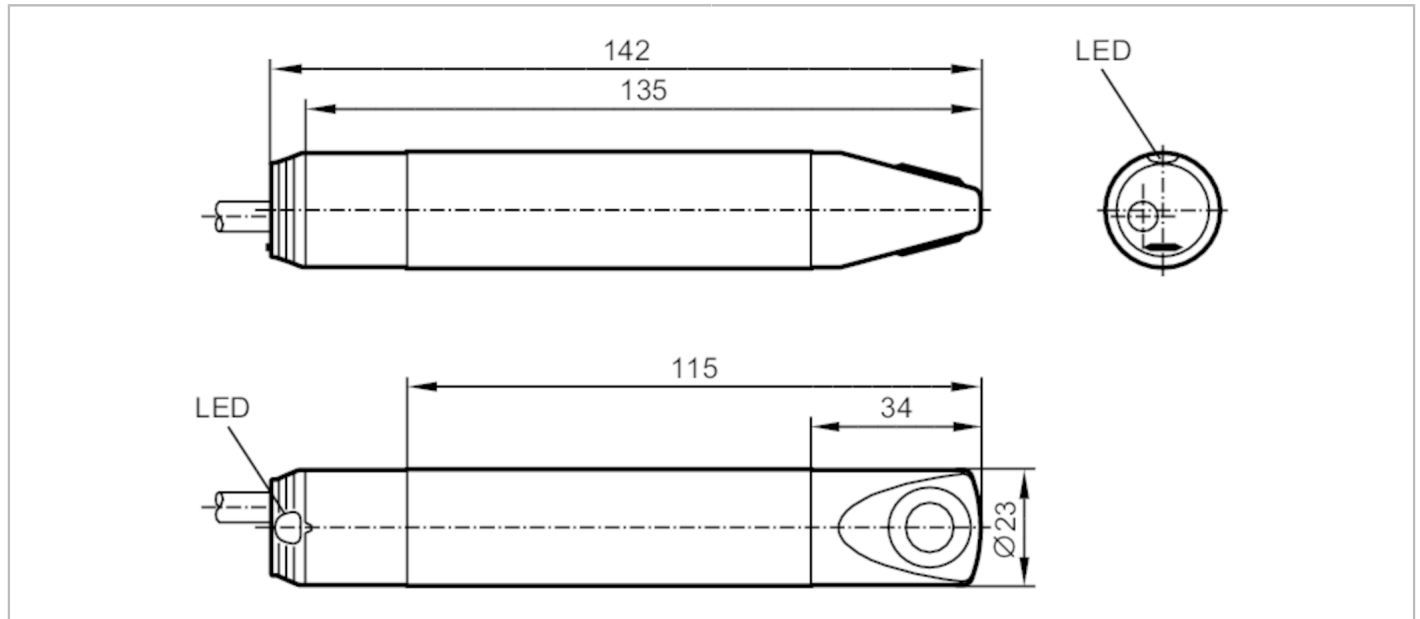


SL5201



Airflow monitor

SLG23XEE40KG/2M/BS




Product characteristics	
Number of inputs and outputs	Number of analogue outputs: 1
Process connection	Ø 23 mm
Application	
Special feature	Gold-plated contacts
Medium temperature [°C]	35...65
Pressure rating [bar]	1
Electrical data	
Operating voltage tolerance [%]	-10...10
Operating voltage [V]	24 DC
Current consumption [mA]	< 35
Min. insulation resistance [MΩ]	100; (500 V DC)
Power-on delay time [s]	90
Inputs / outputs	
Number of inputs and outputs	Number of analogue outputs: 1
Outputs	
Total number of outputs	1
Output signal	analogue signal
Number of analogue outputs	1
Analogue voltage output [V]	0...10
Measuring/setting range	
Flow range [cm/s]	200...2000
Note on flow range	= 1...10 V
Accuracy / deviations	
Temperature gradient [K/min]	1

SL5201



Airflow monitor

SLG23XEE40KG/2M/BS

Operating conditions		
Ambient temperature	[°C]	-10...50
Storage temperature	[°C]	-25...85
Max. relative air humidity	[%]	90
Protection		IP 65
Tests / approvals		
MTTF	[years]	726
Mechanical data		
Weight	[g]	217.5
Dimensions	[mm]	Ø 23 / L = 142
Materials		housing: PBT; sensor surface: titanium
Materials (wetted parts)		PBT; titanium
Process connection		Ø 23 mm
Displays / operating elements		
Display	operation	LED, green
Accessories		
Accessories (supplied)		Mounting clamp: 1, E40048
Remarks		
Pack quantity		1 pcs.
Electrical connection		
Cable: 2 m; 4 x 0.5 mm ²		
Connector: 1 x M16; Contacts: gold-plated		
		

SL5201

Airflow monitor

SLG23XEE40KG/2M/BS



Connection

