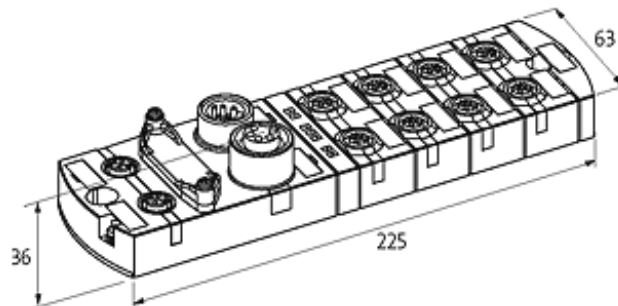


**IMPACT67 COMPACT MODULE, PLASTIC**

Ethercat, 8 dig. Out

Digital outputs  
DO8 - 2 A

For connection cables please see chapter "Connection Technology" Housings potted on the back

[Link to Product](#)**Illustration**

Product may differ from Image

**Approvals****More Info**

EtherCAT

**Connections**

Fieldbus	M12, D-coded
Sensor-system/actuator supply	7/8", 5-pole, 2 × max. 9 A
I/O ports	M12, A-coded, 5-pole

**Fieldbus**

Operating voltage	24 V DC (EN 61131-2)
Operating modes	Autocrossing Autonegotiation
Transfer rate	to 100 Mbit/s
Addressing	automatic or Device ID by rotary switch

**General data**

Protection	IP67
Mounting method	2 hole screw mounting, compatible with I/O modules of MVK model range
Temperature range	-25...+55 °C (storage temperature -25...+70 °C)
Dimensions H × W × D	39×63×225 mm

**Output**

Switching current per output	max. 2 A (short-circuit and overload protected)
------------------------------	---

**Diagnostic**

Communication status	via LED
Diagnostic via LED	per module and channel
Diagnostic via BUS	per module and channel
Monitoring - under voltage	yes
Monitoring - no voltage	yes
Short circuit and overload	yes

**Commercial data**

country of origin	DE
customs tariff number	85176200
minimum order quantity	1