

## M12 Y-DISTRIBUTOR / M12 FEMALE 0°

PUR 3X0.34 GRAY, UL/CSA, drag ch 2m

Male straight to female straight

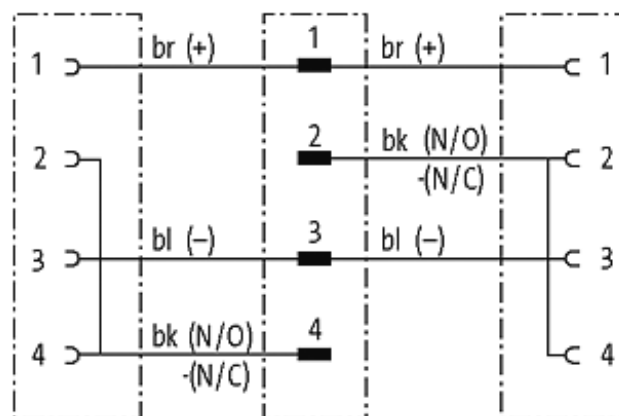
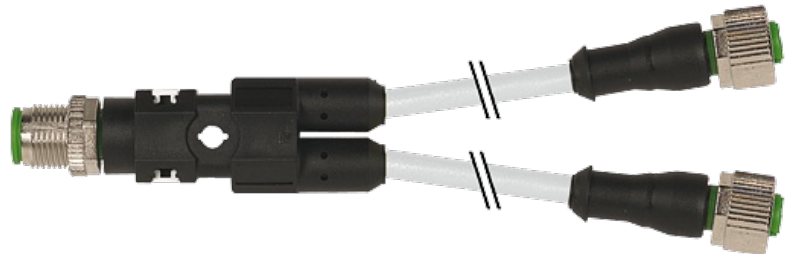
Y-connector M12 - M12, 4-pole (bridged)

Art.-No. 7005 - M12 Lite - (plastic hexagonal screw) on request

Plastic housings with good resistance against chemicals and oils. The resistance to aggressive media should be individually tested for your application. Further details on request. Further cable lengths on request.

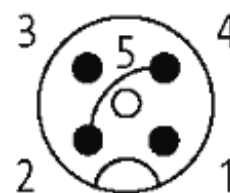
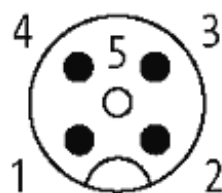
### [Link to Product](#)

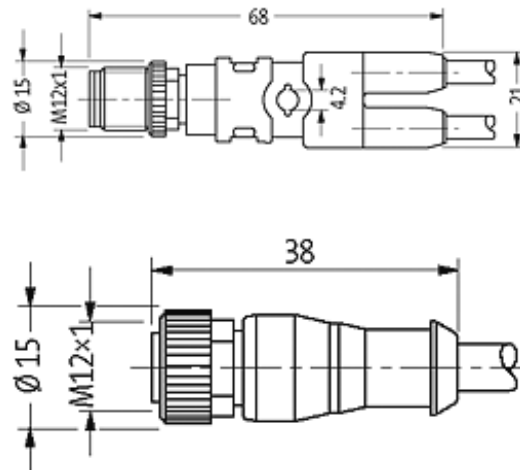
#### Illustration



Y-Male

Females





Product may differ from Image

### Approvals



\* only for products with UL/CSA approved cable

### Form

40721

### Technical Data

|                               |   |
|-------------------------------|---|
| Operating voltage             | max. 250 V AC/DC  |
| Operating current per contact | max. 4 A  |
| Locking of ports              | Screw thread M12 × 1 mm (recommended torque 0.6 Nm) self-securing |
| Protection                    | IP67 inserted and tightened (EN 60529)                            |

### Cables

|                             |                          |
|-----------------------------|--------------------------|
| Cable number                | 233                      |
| No./diameter of wires       | 3 × 0.34 mm <sup>2</sup> |
| Wire isolation              | PP (br, bl, bk)          |
| C-track properties          | 5 Mio.                   |
| Torsion                     | 2 Mio. ± 180°/m          |
| Jacket Color                | gray                     |
| Shore hardness outer jacket | 90 ± 5A                  |
| Material (jacket)           | PUR (UL/CSA)             |
| Outer diameter              | approx. 4.3 mm           |
| Bend radius (fixed)         | 5 × outer Ø              |
| Bend radius (moving)        | 10 × outer Ø             |
| Temperature range (fixed)   | -40...+80 °C             |
| Temperature range (mobile)  | -25...+80 °C             |

The information in this brochure has been compiled with the utmost care.

Liability for the correctness completeness and topicality of the information is restricted to gross negligence. Version: 05/15

**General data**

Temperature range -25...+85 °C, depending on cable quality

**Commercial data**

country of origin DE

customs tariff number 85444290

minimum order quantity 1