

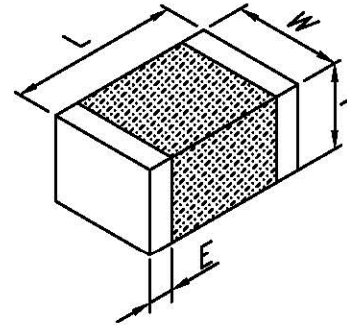
# MFB-321611-0150PN

## ELECTRICAL CHARACTERISTICS:

	Z @ 100MHz (Ohms)	DCR (Ohms)	Rated Current
Nominal	150		
Minimum	112.5		
Maximum	187.5	0.09	2000mA

## PHYSICAL DIMENSIONS:

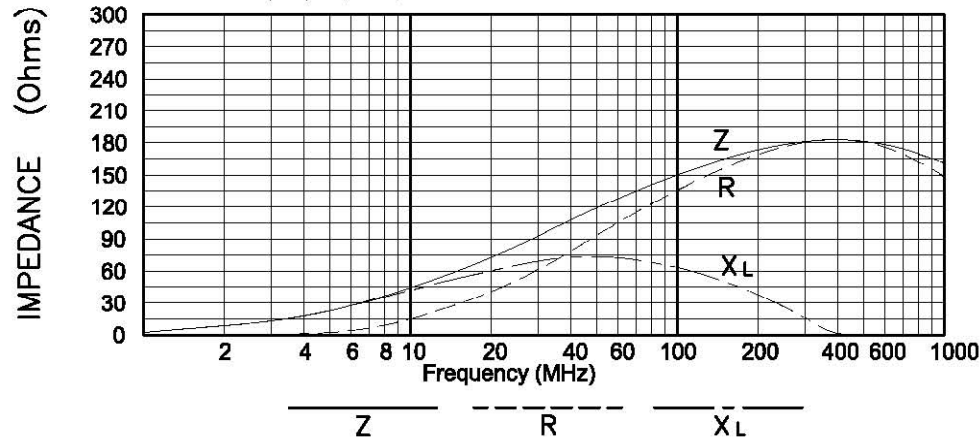
L	3.20(0.126) ±0.200(0.008)
W	1.60(0.063) ±0.200(0.008)
T	1.10(0.043) ±0.200(0.008)
E	0.50(0.020) ±0.300(0.012)



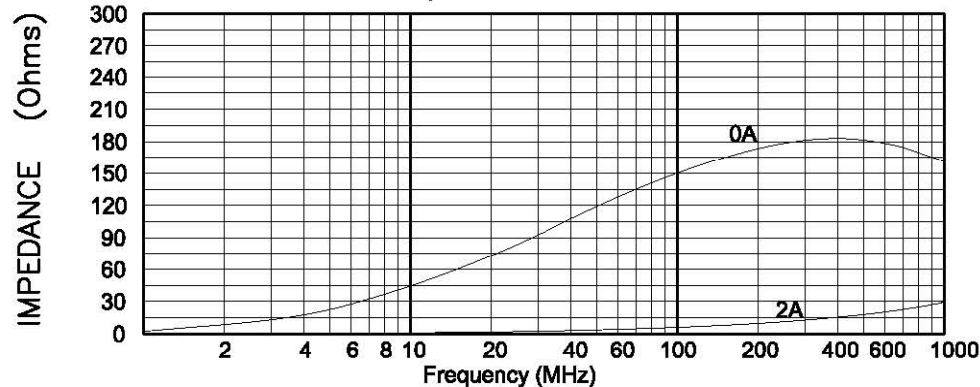
## NOTES: UNLESS OTHERWISE SPECIFIED

- 1.-All edges and corners must be rounded.
- 2.-Dimensions are in millimeters (inches)
- 3.-Taped and Reeled per current EIA specification.

|Z| , R, AND X<sub>L</sub> vs. FREQUENCY

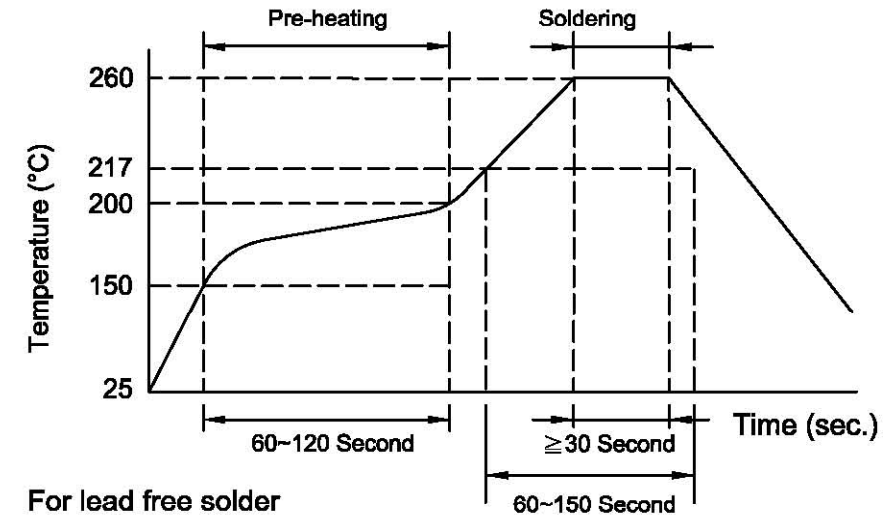


Z vs. FREQUENCY  
Impedance Under DC Bias



## RECOMMENDED SOLDERING CONDITIONS

### Reflow Soldering



For lead free solder



APPROVER	DATE	2010/03/12
Sharon	CFM.	