



Passive Components > Resistors > Surface Mount Resistors



Resistor Type: **General Purpose Resistor**

Number of Terminations: **2**

Size Code: **0805**

Packaging Method: **Taped & Reeled**

Tolerance: **1%**

Features

Product Type Features

Product Type	Fixed Resistor
Resistor Type	General Purpose Resistor
Size Code	0805
Element Type	Thick Film

Configuration Features

Number of Resistors	1
---------------------	---

Electrical Characteristics

Voltage Rating	150 V
Tolerance	1%
Resistance Range	1k Ω – 1M Ω
Resistance	3K Ω
Power Rating	.125 W

Termination Features

Number of Terminations	2
Termination Type	Solder

Mechanical Attachment

Mount Style	Surface Mount
-------------	---------------

Dimensions

--	--



Dimensions	2 x 1.25 x .55 mm
------------	-------------------

Usage Conditions

Temperature Coefficient	±100 ppm/°C
-------------------------	-------------

Packaging Features

Packaging Method	Taped & Reeled
------------------	----------------

Product Compliance

[For compliance documentation, visit the product page on TE.com>](#)

EU RoHS Directive 2011/65/EU	Compliant with Exemptions
EU ELV Directive 2000/53/EC	Compliant with Exemptions
China RoHS 2 Directive MIIT Order No 32, 2016	Restricted Materials Above Threshold
EU REACH Regulation (EC) No. 1907/2006	欧洲化学品管理局最新发布的SvHCs候选清单: 2020年1月 (205) SvHCs候选清单的声明更新至: 2020年1月 (205) 不含REACH SVHC
EU REACH Regulation (EC) No. 1907/2006	欧洲化学品管理局最新发布的SvHCs候选清单: 2020年1月 (205) SvHCs候选清单的声明更新至: 2020年1月 (205)
Halogen Content	BFR/CFR/PVC Free, but Br/Cl >900 ppm in other sources.
Solder Process Capability	Reflow solder capable to 260°C

Product Compliance Disclaimer

This information is provided based on reasonable inquiry of our suppliers and represents our current actual knowledge based on the information they provided. This information is subject to change. The part numbers that TE has identified as EU RoHS compliant have a maximum concentration of 0.1% by weight in homogenous materials for lead, hexavalent chromium, mercury, PBB, PBDE, DBP, BBP, DEHP, DIBP, and 0.01% for cadmium, or qualify for an exemption to these limits as defined in the Annexes of Directive 2011/65/EU (RoHS2). Finished electrical and electronic equipment products will be CE marked as required by Directive 2011/65/EU. Components may not be CE marked. Additionally, the part numbers that TE has identified as EU ELV compliant have a maximum concentration of 0.1% by weight in homogenous materials for lead, hexavalent chromium, and mercury, and 0.01% for cadmium, or qualify for an exemption to these limits as defined in the Annexes of Directive 2000/53/EC (ELV). Regarding the REACH Regulations, TE's information on SVHC in articles for this part number is still based on the European Chemical Agency (ECHA) 'Guidance on requirements for substances in articles' (Version: 2, April 2011), applying the 0.1% weight on weight concentration threshold at the finished product level. TE is aware of the European Court of Justice ruling of September 10th, 2015 also known as O5A (Once An Article Always An Article) stating that, in case of 'complex object', the threshold for a SVHC must be applied to both the product as a whole and simultaneously to each of the articles forming part of its composition. TE has evaluated this ruling based on the new ECHA "Guidance on requirements for substances in articles" (June 2017, version 4.0) and will be updating its statements accordingly.

Compatible Parts




TE Model / Part # 1-1622826-8
CRG0402 5% 1K0



TE Model / Part # 1622829-1
CRG0603 1% 10K



TE Model / Part # 1676480-1
CRG0402 1% 100K




TE Model / Part # 1623097-1
CRG0805 1% 10K



TE Model / Part # 1623404-1
CRG1206 1% 10K

Also in the Series | **Neohm CRG**



RF Connectors(1)

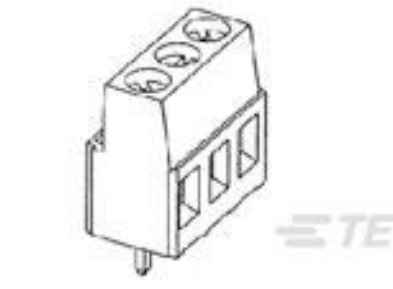


Surface Mount Resistors(647)

Customers Also Bought



TE Model / Part #2-87220-0
20 MODII HDR SRST UNSHRD .100



TE Model / Part #796681-2
TERMI-BLOK PCB MOUNT 2P.



TE Model / Part #1623257-1
CRG0805 1% 5K1



TE Model / Part #2834085-1
2.54MM TOP ENTRY MSC 2P_GY



TE Model / Part #1623243-1
CRG0805 1% 510R



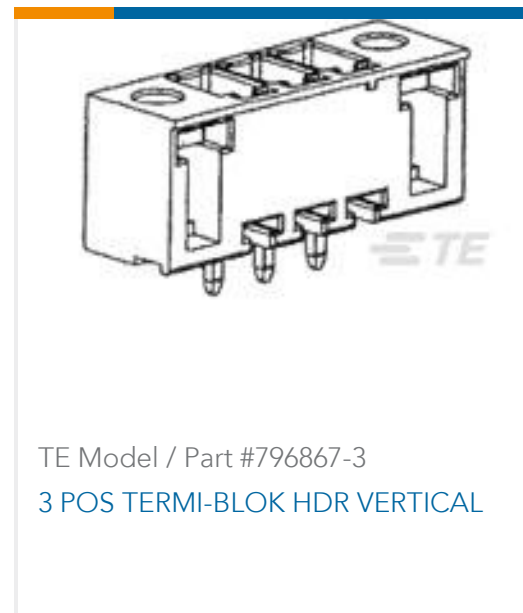
TE Model / Part #1825255-8
MHS133G04=SP3T SL SW VERT AU



TE Model / Part #1623191-1
CRG0805 1% 30K



TE Model / Part #3-1775333-2
ZIF FPC 0.5, 2H, 32P



Documents

Product Drawings

[CRG0805 1% 3K0](#)

English

CAD Files

[3D PDF](#)

3D

Customer View Model

[ENG_CVM_CVM_1623212-1_BA.2d_dxf.zip](#)

English

Customer View Model

[ENG_CVM_CVM_1623212-1_BA.3d_igs.zip](#)

English

Customer View Model

[ENG_CVM_CVM_1623212-1_BA.3d_stp.zip](#)

English

By downloading the CAD file I accept and agree to the [Terms and Conditions](#) of use.

Datasheets & Catalog Pages

[1309350_PASSIVE_COMPONENT](#)

English

[Thick Film Chip Resistors - Type CRG series](#)

English

Product Environmental Compliance

[TE Material Declaration](#)

English