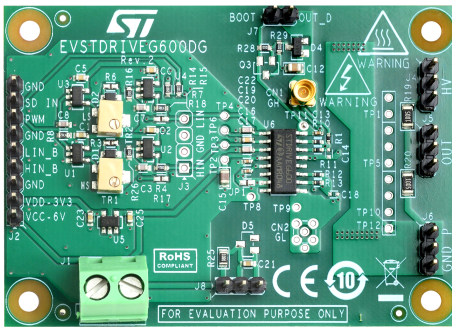


## Demonstration board for STDRIVEG600 600V high speed half-bridge gate driver with enhancement mode GaN HEMT



### Features

- Half-Bridge topology featuring 600V STDRIVEG600 gate driver
- Equipped with 150 mΩ 650V HEMT GaN
- GaN in 5x6mm PowerFLAT package with Kelvin source
- HV bus up to 500 V
- 4.75 to 6.5 V VCC gate driver supply voltage, limited by GaN  $V_{GS}$  rating
- On-board adjustable deadtime generator to convert single PWM signal in independent High-Side and Low-Side deadtimes
- Separated inputs with external deadtime can also be used
- On-board 3.3V regulator for external circuitry supply
- 25°C/W junction-to-ambient thermal resistance to evaluate large power topologies
- High frequency connector for gate GaN power transistor monitoring
- Optional low-side shunt
- RoHS compliant.

### Description

The STDRIVEG600 is a high-speed half-bridge gate driver optimized to drive high-voltage enhanced mode GaN HEMTs. It features an integrated bootstrap diode and allows supplying external switches up to 20 V, with undervoltage protection tailored for GaN HEMTs.

The EVSTDRIVEG600DG board is easy to use and quick and adapt for evaluating the characteristics of STDRIVEG600 driving 650 V e-Mode GaN switches.

It provides an on-board programmable dead time generator and a 3.3 V linear voltage regulator to supply external logic controllers like microcontrollers.

Spare footprints are also included to allow customizing the board for the final application, such as separate input signal or single PWM signal, use of optional external bootstrap diode, separate supply for VCC, PVCC or BOOT and the use of low-side shunt resistor for peak current mode topologies.

The EVSTDRIVEG600DG is 50 x 70 mm wide, FR-4 PCB resulting in 25 °C/W  $R_{th(J-A)}$  in still air.

Product status link

[EVSTDRIVEG600DG](#)

## 1 Safety and operating instructions



### 1.1 General terms

**Warning:**

During assembly, testing, and operation, the evaluation board poses several inherent hazards, including bare wires, moving or rotating parts and hot surfaces

**Danger:**

*There is danger of serious personal injury, property damage or death due to electrical shock and burn hazards if the kit or components are improperly used or installed incorrectly.*

**The kit is not electrically isolated from the high-voltage supply DC input. No insulation is ensured between the accessible parts and the high voltage. All measuring equipment must use adequately insulated probes, clamps and connecting wires. Never touch the evaluation board while it is energized as it is capable of causing electrical shock hazard.**

All operations involving transportation, installation and use, and maintenance must be performed by skilled technical personnel able to understand and implement national accident prevention regulations. For the purposes of these basic safety instructions, “skilled technical personnel” are suitably qualified people who are familiar with the installation, use and maintenance of power electronic systems.

### 1.2 Intended use of demonstration board

The board is designed for demonstration purposes only, and must not be used for electrical installations or machinery. Technical data and information concerning the power supply conditions are detailed in the documentation and should be strictly observed.

### 1.3 Installing the demonstration board

- The installation and cooling of the demonstration board must be in accordance with the specifications and target application.
- The board must be protected against excessive strain. In particular, components should not be bent or isolating distances altered during transportation or handling.
- No contact must be made with other electronic components and contacts.
- The board contains electrostatically-sensitive components that are prone to damage if used incorrectly. Do not mechanically damage or destroy the electrical components (potential health risks).

## 1.4 Operating the demonstration board

To operate properly the board, follow these safety rules.

1. Work Area Safety:
  - The work area must be clean and tidy.
  - Do not work alone when boards are energized.
  - Protect against inadvertent access to the area where the board is energized using suitable barriers and signs.
  - A system architecture that supplies power to the evaluation board must be equipped with additional control and protective devices in accordance with the applicable safety requirements (i.e., compliance with technical equipment and accident prevention rules).
  - Use non-conductive and stable work surface.
  - Use adequately insulated clamps and wires to attach measurement probes and instruments.
2. Electrical Safety:
  - Remove power supply from the board and electrical loads before performing any electrical measurement.
  - Proceed with the arrangement of measurement setup, wiring or configuration paying attention to high voltage sections.
  - Once the setup is complete, energize the board.

---

**Danger:**

*Do not touch the board when it is energized or immediately after it has been disconnected from the voltage supply as several parts and power terminals containing potentially energized capacitors need time to discharge.*

*Do not touch the boards after disconnection from the voltage supply as several parts, included PCB, may still be very hot.*

*The kit is not electrically isolated from DC input.*

---

3. Personal Safety
  - Always wear suitable personal protective equipment such as, for example, insulating gloves and safety glasses.
  - Take adequate precautions and install the board in such a way to prevent accidental touch. Use protective shields such as, for example, insulating box with interlocks if necessary.

## 2 Schematic diagrams

**Figure 1. EVSTDRIVEG600DG schematic - STDRIVEG600 driver, power stage and connectors**

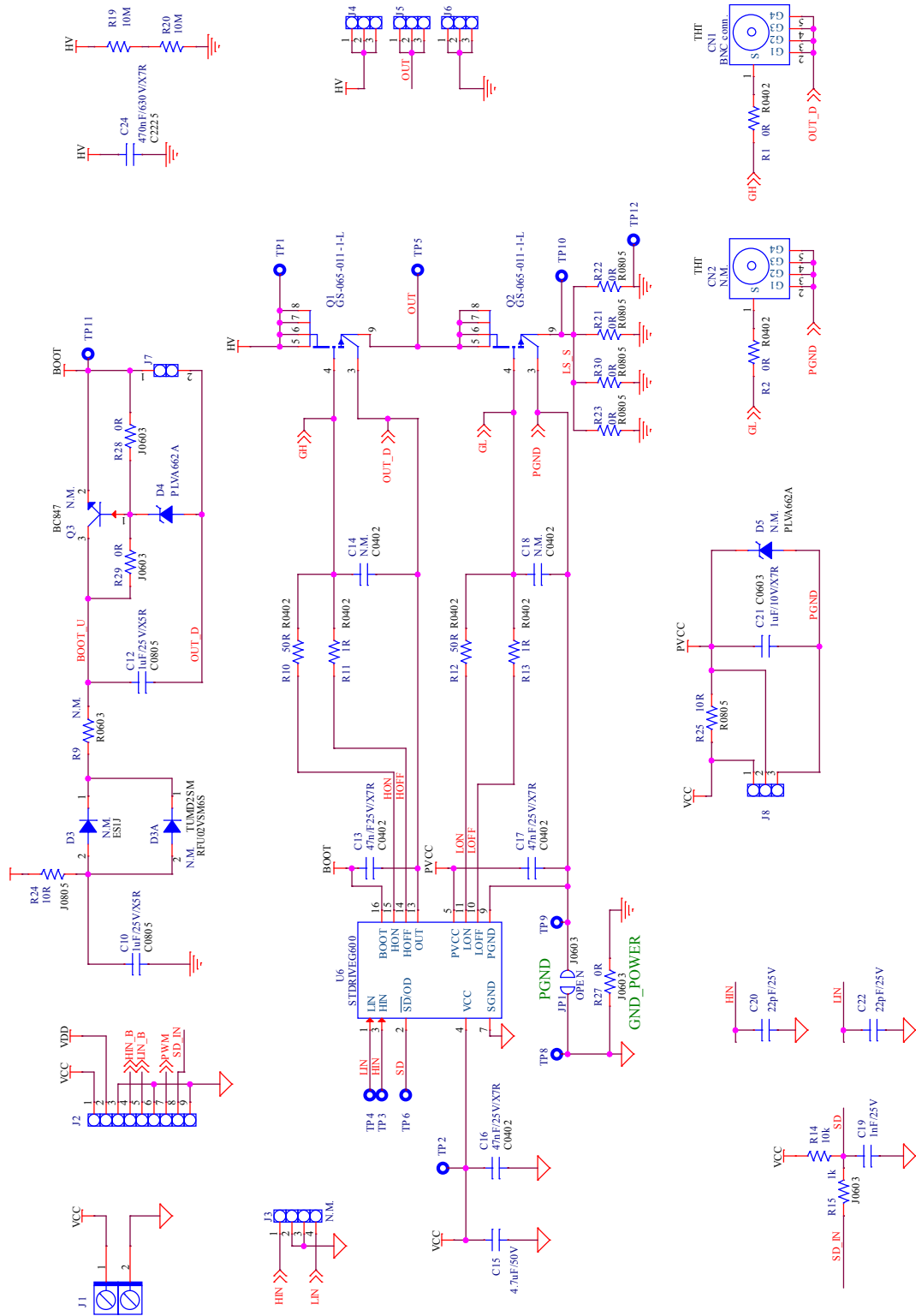
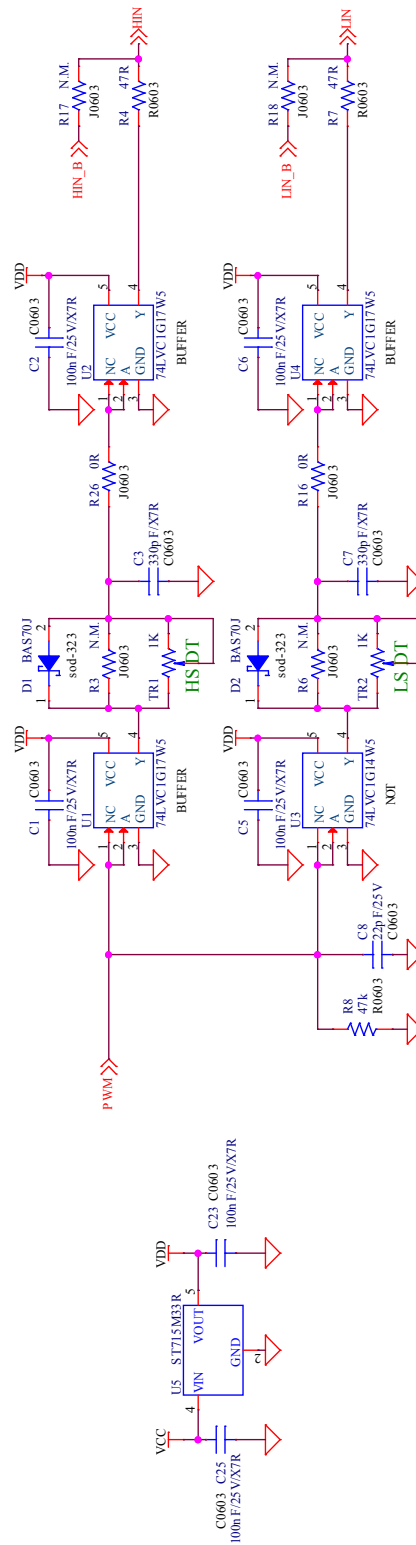


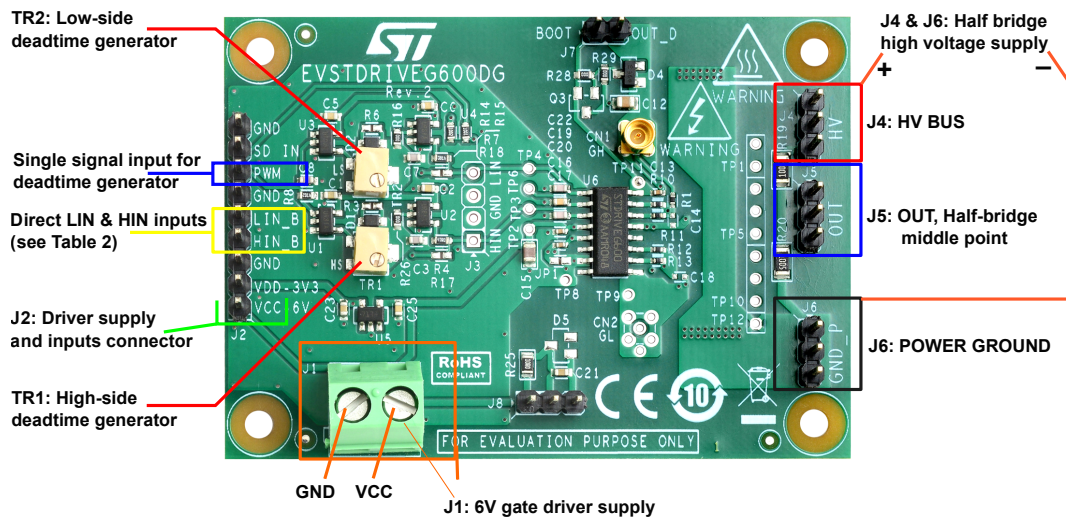
Figure 2. EVSTDRIVEG600DG schematic - Deadtime generator



### 3 Board power-up and input connection

The following picture shows how to supply the EVSTDRIVEG600DG, how to provide LIN and HIN inputs and set the programmable deadtime generator.

**Figure 3. EVSTDRIVEG600DG - Supply and signal connection**



The LIN, HIN inputs can be provided from the on-board deadtime generator or directly from an external generator or control device (as DSP/MCU).

The deadtime value set by the on-board dead time generator, fed by PWM input signal on J2, can be tuned by setting TR1 and TR2. The typical dead time value with the trimmer in the default manufacturing middle position is about 100 ns. It is possible to change dead time generator range by changing C3 and C7.

TR2 sets the deadtime before low side turn-on.

TR1 sets the deadtime before high side turn-on.

**Table 1. Connector Map**

Ref	Pin #	Name	Function	Description
J2	1	VCC	INPUT power	Board Supply voltage (recommended value 6 V)
	2	VDD (3V3)	OUT power	Output voltage of on-board 3.3 V regulator: it can be used to supply external circuitry (up to about 50 mA)
	3	GND	PWR	Board reference potential
	4	HIN_B	INPUT digital	HIN direct input signal (0 to 3.3 V or up to 20 V): mount R17 and remove R4 - see Table 2 and Table 3
	5	LIN_B	INPUT digital	LIN direct input signal (0 to 3.3 V or up to 20 V): mount R18 and remove R7 - see Table 2 and Table 3
	6	GND	PWR	Board reference potential
	7	PWM	INPUT digital	PWM input signal (0 to 3.3 V or 5 V) – see Table 2 and Table 3
	8	SD_IN	INPUT / OUT digital	Disable input signal (0 to 3.3 V or up to 20 V) – see Table 3 Open-drain output signals over-temperature protection
	9	GND	PWR	Board reference potential
J4	1,2,3	HV	INPUT Power	These three pins are connected to high voltage (HV) of GaN power stage. Connect the half bridge high voltage positive supply.

Ref	Pin #	Name	Function	Description
J5	1,2,3	OUT	OUTPUT Power	These three pins are connected to OUT pin of power stage: connect the load to this terminal
J6	1,2,3	GND_POWER	PWR	These three pins are connected to power ground. Connect the half bridge high voltage negative supply.
J12	1	VCC	INPUT Power	Board driver supply voltage (recommended value 6 V)
	2	GND	POWER	Board reference potential
CN1		GH	OUTPUT	To be used to monitor the gate of high-side GaN power transistor (GH) with high bandwidth, high voltage differential probes (optically isolated probes with MMCX connector are strongly recommended)
CN2		GL	OUTPUT	To be used to monitor the gate of low-side GaN power transistor (GL). Recommended to be used with high bandwidth differential probes (optically isolated) with proper MMCX male connector.

**Table 2. Device input selection**

R4, R7	R17, R18	Input source	Function and description
0-47 $\Omega$ (closed)	Open	J2: PWM pin	LIN & HIN are generated by the on-board deadtime generator from a single PWM signal on J2, pin 7.
Open	0-47 $\Omega$ (closed)	J2: LIN_B & HIN_B pins	Direct connection to LIN and HIN STDRIVEG600 pins. LIN, HIN input range: up to 20 V.

**Table 3. Input signal truth table**

$\overline{SD/OD}$	PWM	LIN	HIN
L	X	L	L
H	L	H	L
H	H	L	H

The recommended power-on sequence is to turn VCC on first, then apply the HV bus voltage. The recommended power-off sequence is to turn-off the HV bus supply first, then VCC.

## 4 Bill of materials

**Table 4. EVSTRIVEG600DG bill of materials**

Reference	Description	Value or Generic Part Number Package
CN1	MMCX Straight Receptacle	Cinch 135-3701-201 or equivalent
CN2	MMCX Straight Receptacle	N.M.
C1, C2, C5, C6, C23, C25	SMT ceramic capacitor	100 nF / 25 V / X7R, 0603
C3, C7	SMT ceramic capacitor	330 pF / X7R, 0603
C8, C20, C22	SMT ceramic capacitor	22 pF / 25 V, 0603
C10, C12	SMT ceramic capacitor	1 $\mu$ F / 25 V / X5R, 0805
C13, C16, C17	SMT ceramic capacitor	47 nF / 25 V / X7R, 0402
C14, C18	SMT ceramic capacitor	N.M., 0402
C15	SMT ceramic capacitor	4.7 $\mu$ F / 25 V / X7R, 0805
C19	SMT ceramic capacitor	1 nF / 25 V, 0603
C21	SMT ceramic capacitor	1 $\mu$ F / 10 V / X7R, 0603
C24	SMT ceramic capacitor	470 nF / 630 V / X7R, 2225
D1, D2	Low capacitance, low series inductance and resistance Schottky diodes	BAS70JFILM, SOD-323
D3	Fast Rectifier	N.M., TUMD2SM
D3A	Fast Rectifier	N.M., SMA
D4	6.2 V Low-voltage avalanche regulator diodes	PLVA662A, SOT23
D5	6.2 V Low-voltage avalanche regulator diodes	N.M., SOT23
JP1, JP2	SMT jumper	OPEN, Soldering pads
J1	Terminal block T.H. 2 pos, 5.08 mm	2 Poles, Pitch 5.08 mm
J2	Strip connector 9 pos, 2.54 mm	STRIP 1x9
J3	Strip connector 4 pos, 2.54 mm	N.M.
J4, J5, J6, J8	Strip connector 3 pos, 2.54 mm	STRIP 1x3
J7	Strip connector 2 pos, 2.54 mm	STRIP 1x2
Q1, Q2	Bottom-side cooled 650 V E-mode GaN transistor	GS-065-011-1-L, 5x6 mm
Q3	NPN General Purposes Transistor	N.M., SOT23
R1, R2	SMT resistor	0 $\Omega$ , 0402
R3, R6, R17, R18	SMT resistor	N.M., 0603
R4, R7	SMT resistor	47 $\Omega$ , 0603
R8	SMT resistor	47 k $\Omega$ , 0603
R9	SMT resistor	N.M., 0603
R10, R12	SMT resistor	50 $\Omega$ , 0402
R11, R13	SMT resistor	1 $\Omega$ , 0402
R14	SMT resistor	10 k $\Omega$ , 0603
R15	SMT resistor	1 k $\Omega$ , 0603
R16, R26, R27, R28, R29	SMT resistor	0 $\Omega$ , 0603
R19, R20	SMT resistor	10 M $\Omega$ , 1206



Reference	Description	Value or Generic Part Number Package
R21, R22, R23, R30	SMT resistor	0 $\Omega$ , 0805
R24	SMT resistor	10 $\Omega$ , 0603
R25	SMT resistor	10 $\Omega$ , 0805
TR1, TR2	5 mm Square Surface Mount Miniature Trimmers Multi-Turn Cermet Sealed	1 k $\Omega$ , TSM4YJ
TP1, TP2, TP3, TP4, TP5, TP6, TP8, TP9, TP10, TP11, TP12	Test point for probe	Metallized Hole, 0.8 mm diameter
U1, U2, U4	Single Schmitt-trigger buffer	74LVC1G17W5, SOT23-5L
U3	Single Schmitt-trigger inverter	74LVC1G14W5, SOT23-5L
U5	High input voltage, 85 mA LDO linear regulator	ST715M33R, SOT23-5L
U6	High voltage and high-speed half-bridge gate driver	STDRIVEG600, SO16

## 5 Layout and component placements

Figure 4. EVSTDRIVEG600DG - Layout (component placement top view)

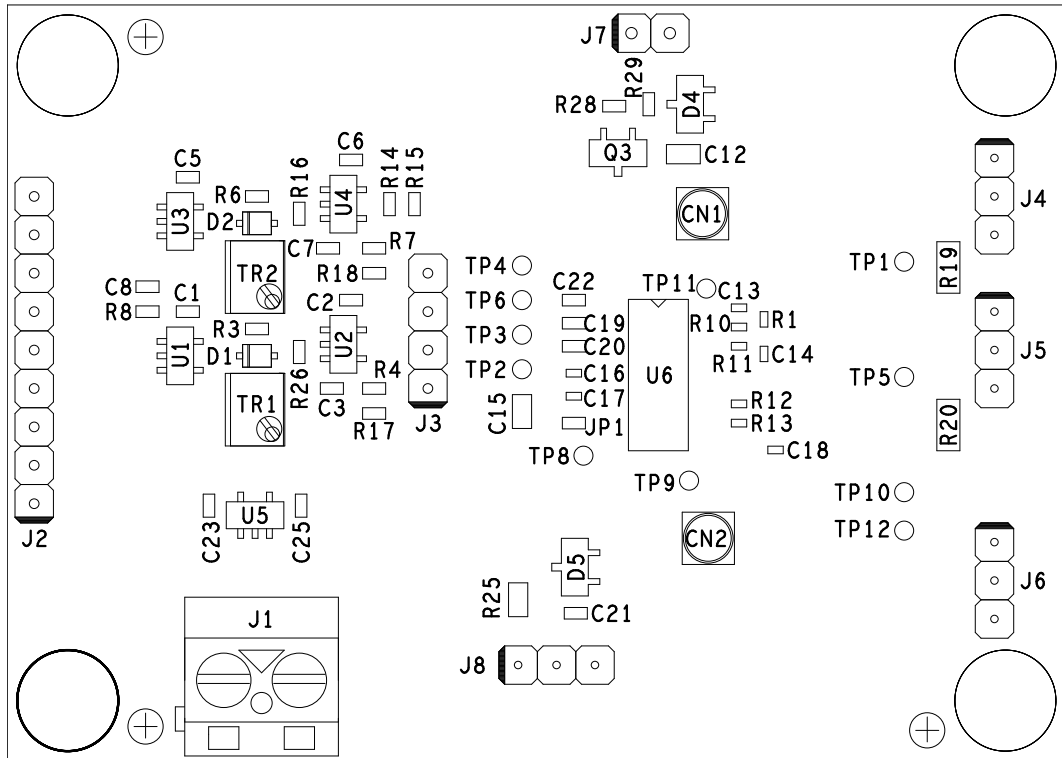


Figure 5. EVSTDRIVEG600DG - Layout (component placement bottom view)

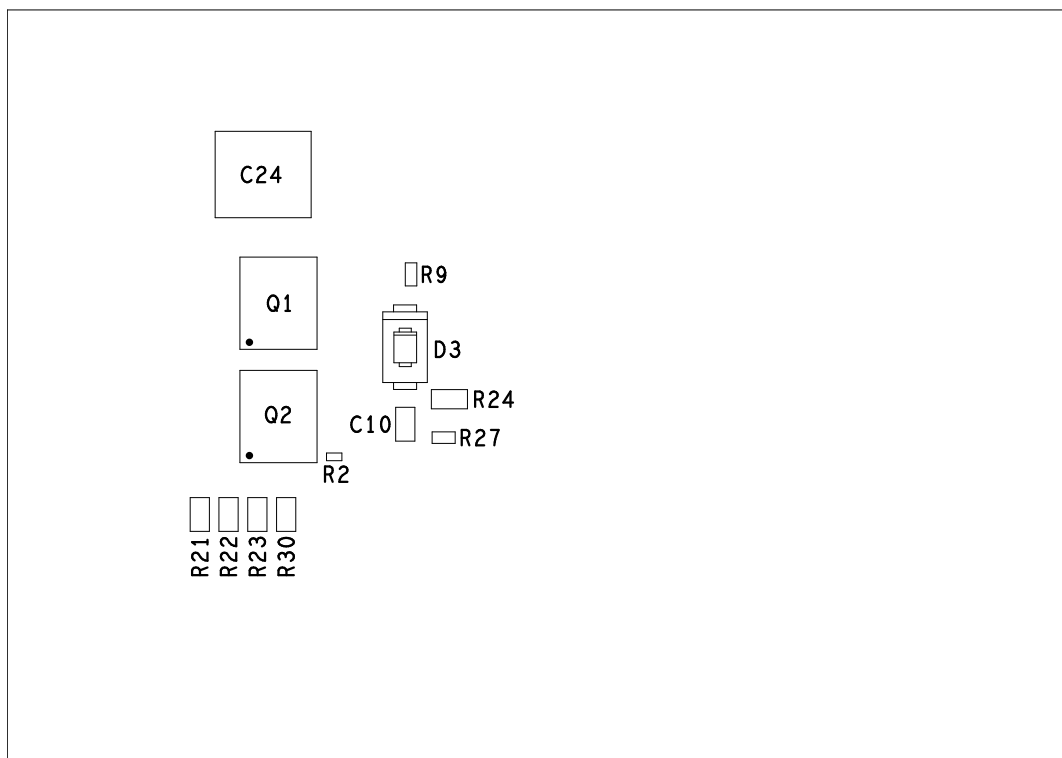


Figure 6. EVSTDRIVEG600DG - Layout (top layer)

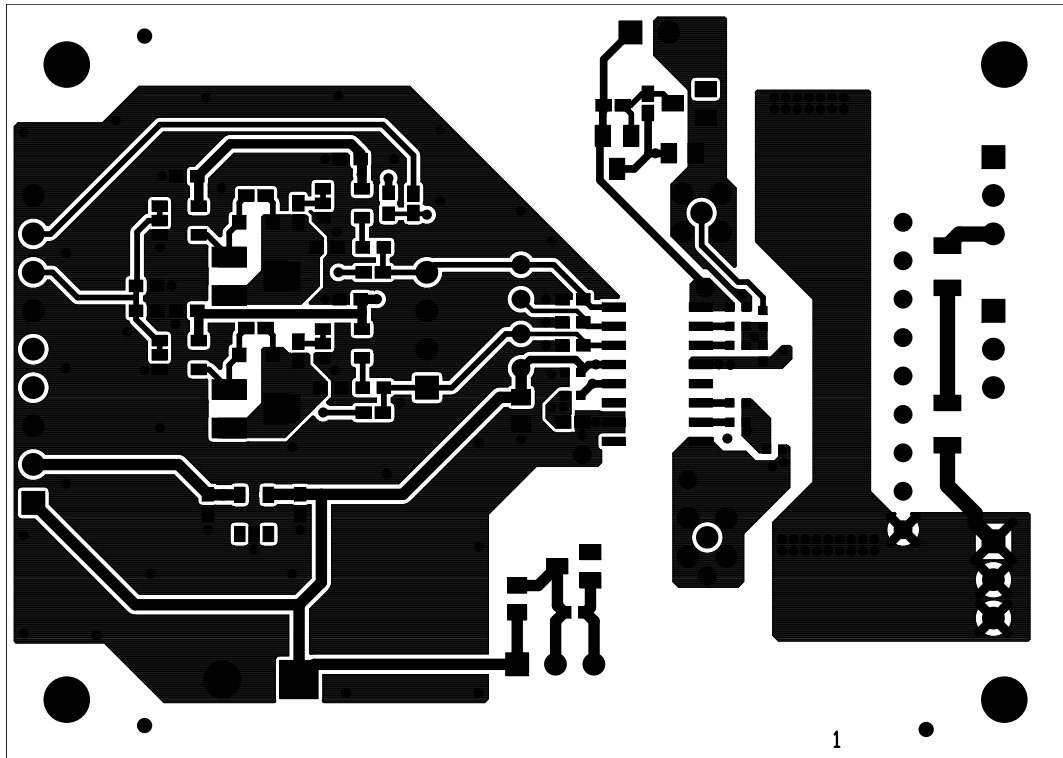
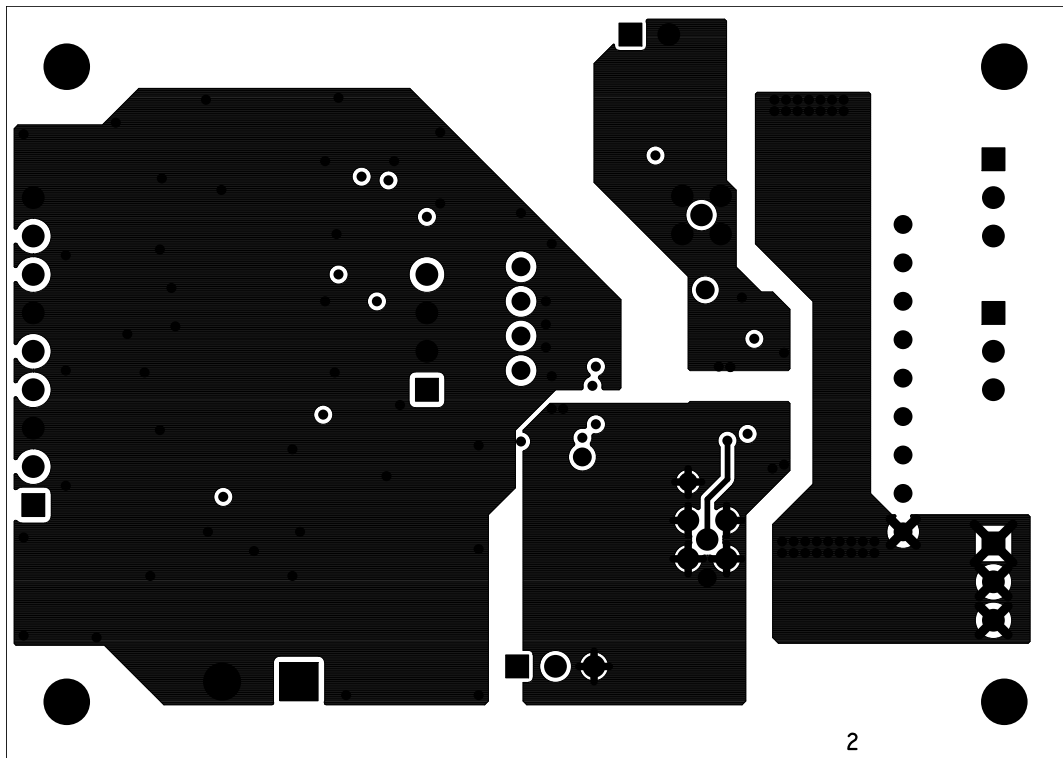
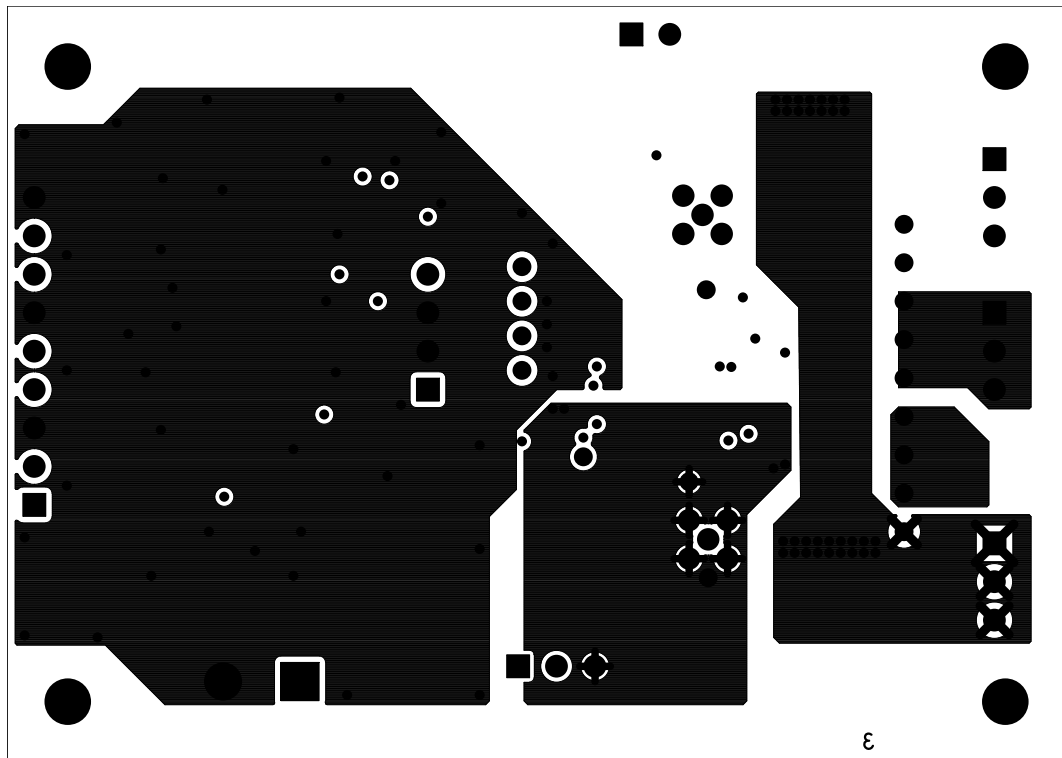


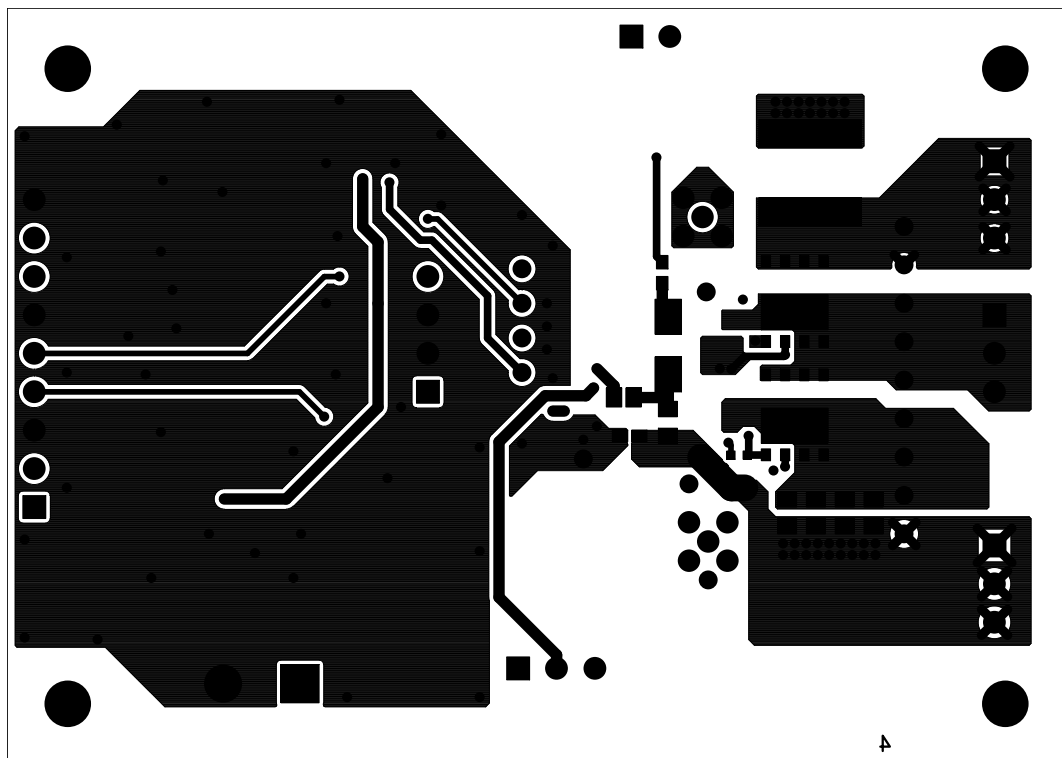
Figure 7. EVSTDRIVEG600DG - Layout (inner 2 layer)



**Figure 8. EVSTDRIVEG600DG – Layout (inner 3 layer)**



**Figure 9. EVSTDRIVEG600DG - Layout (bottom layer)**



## Revision history

**Table 5. Document revision history**

Date	Version	Changes
22-Jun-2021	1	Initial release.

## Contents

<b>1</b>	<b>Safety and operating instructions</b> .....	<b>2</b>
1.1	General terms .....	2
1.2	Intended use of demonstration board .....	2
1.3	Installing the demonstration board .....	2
1.4	Operating the demonstration board .....	3
<b>2</b>	<b>Schematic diagrams</b> .....	<b>4</b>
<b>3</b>	<b>Board power-up and input connection</b> .....	<b>6</b>
<b>4</b>	<b>Bill of materials</b> .....	<b>8</b>
<b>5</b>	<b>Layout and component placements</b> .....	<b>10</b>
	Revision history .....	13
	Contents .....	14
	List of tables .....	15
	List of figures .....	16

## List of tables

<b>Table 1.</b>	Connector Map . . . . .	6
<b>Table 2.</b>	Device input selection. . . . .	7
<b>Table 3.</b>	Input signal truth table . . . . .	7
<b>Table 4.</b>	EVSTDRIVEG600DG bill of materials . . . . .	8
<b>Table 5.</b>	Document revision history . . . . .	13

## List of figures

<b>Figure 1.</b>	EVSTDRIEG600DG schematic - STDRIEG600 driver, power stage and connectors . . . . .	4
<b>Figure 2.</b>	EVSTDRIEG600DG schematic - Deadtime generator . . . . .	5
<b>Figure 3.</b>	EVSTDRIEG600DG - Supply and signal connection . . . . .	6
<b>Figure 4.</b>	EVSTDRIEG600DG - Layout (component placement top view) . . . . .	10
<b>Figure 5.</b>	EVSTDRIEG600DG - Layout (component placement bottom view) . . . . .	10
<b>Figure 6.</b>	EVSTDRIEG600DG - Layout (top layer) . . . . .	11
<b>Figure 7.</b>	EVSTDRIEG600DG - Layout (inner 2 layer) . . . . .	11
<b>Figure 8.</b>	EVSTDRIEG600DG – Layout (inner 3 layer) . . . . .	12
<b>Figure 9.</b>	EVSTDRIEG600DG - Layout (bottom layer) . . . . .	12



**IMPORTANT NOTICE – PLEASE READ CAREFULLY**

STMicroelectronics NV and its subsidiaries (“ST”) reserve the right to make changes, corrections, enhancements, modifications, and improvements to ST products and/or to this document at any time without notice. Purchasers should obtain the latest relevant information on ST products before placing orders. ST products are sold pursuant to ST’s terms and conditions of sale in place at the time of order acknowledgement.

Purchasers are solely responsible for the choice, selection, and use of ST products and ST assumes no liability for application assistance or the design of Purchasers’ products.

No license, express or implied, to any intellectual property right is granted by ST herein.

Resale of ST products with provisions different from the information set forth herein shall void any warranty granted by ST for such product.

ST and the ST logo are trademarks of ST. For additional information about ST trademarks, please refer to [www.st.com/trademarks](http://www.st.com/trademarks). All other product or service names are the property of their respective owners.

Information in this document supersedes and replaces information previously supplied in any prior versions of this document.

© 2021 STMicroelectronics – All rights reserved