

Machine Handles • DIN 39

24450.0132

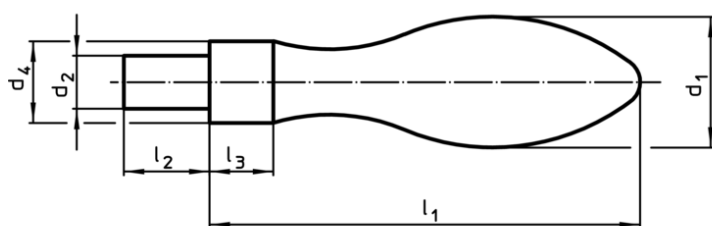
Product Description

Material

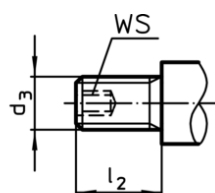
- Steel, turned, zinc-plated by galvanization, passivated



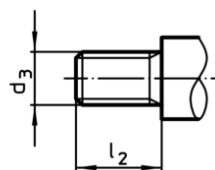
Drawing



picture 1




picture 2

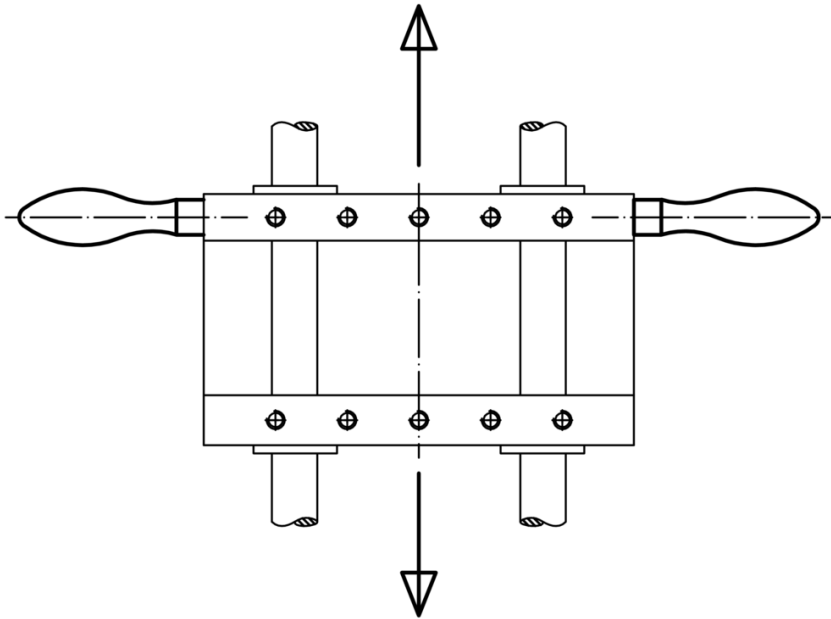


picture 3

Order information

Dimensions							WS		Art. No.
d ₁	d ₃	d ₄ h13	l ₁	l ₂	l ₃		[mm]	[g]	
[mm]									
with male thread lug, form E – picture 2, steel									
32	M12	20	100	21	13		6	340	24450.0132

Application example



Compliance

RoHS compliant

Compliant according to Directive 2011/65/EU and Directive 2015/863

Does not contain SVHC substances

No SVHC substances with more than 0.1% w/w contained - SVHC list [REACH] as of 10.06.2022

Does not contain Proposition 65 substances

No Proposition 65 substances included

<https://www.P65Warnings.ca.gov/>

Free from Conflict Minerals

This product does not contain any substances designated as "conflict minerals" such as tantalum, tin, gold or tungsten from the Democratic Republic of Congo or adjacent countries.