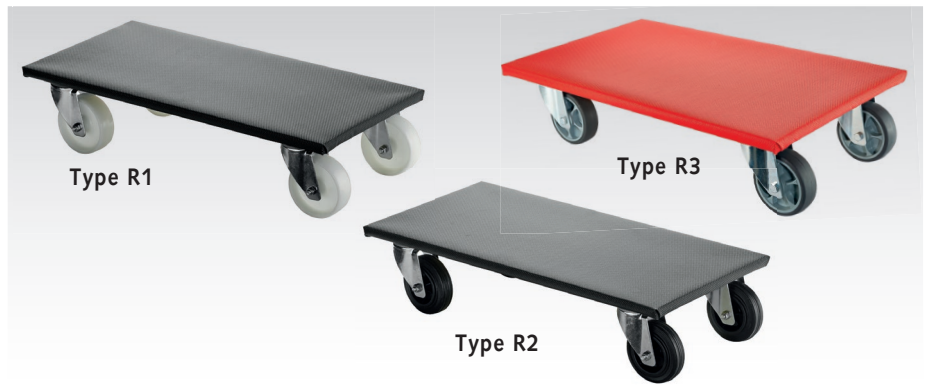


Universal roller

Material: Glued multiplex plywood with nubbed anti-slip covering.

4 swivel casters with the same height, suitable for narrow aisles and high mobility. Practical helpers for the transport of heavy objects. Ideal for intralogistics and warehouse work.



Ordering Details: e.g.: Product No. 777 901 01,
Universal roller R1, plastic wheel, 300 x 600 x 140mm

Product No.	Type, Wheels	Wheel-Ø mm	Plate size mm	Height mm	Colour of Slip mat	Load capacity kg	Weight kg
777 901 01	R1, Plastic wheel	100	300 x 600	140	Grey	350	4,5
777 901 02	R1, Plastic wheel	100	350 x 600	145	Grey	500	5,1
777 901 03	R2, Rubber wheel	100	300 x 600	140	Grey	250	4,5
777 901 04	R2, Rubber wheel	100	350 x 600	145	Grey	250	5,1
777 901 05	R3, Thermoplastic wheel	100	350 x 600	145	Red	330	5,2

Roller stand

Material: Steel, black lacquered.

Collapsible material stands with 2-foot construction for feeding material from sheets or bars.

Type S1:

Universal roller stand with castor and swivelling ball bar. Infinitely variable height adjustment. Ball bar with 8 balls.

Type S2:

Roller stand with V-shaped ball rollers, Ø 25mm. For poles with profile Ø from 2cm to 40cm.



Ordering Details: e.g.: Product No. 777 902 01, Roller stand S1

Product No.	Type	Ball casters Stk	Idler-Ø mm	Roll width mm	min. height mm	Max. height mm	Load capacity* kg	Weight kg
777 902 01	S1	8	60	350	758	1197	200	11,4
777 902 02	S2	4	-	-	715	1060	100	10,1

* Load per unit area over the entire support width. Type S2: If only 2 ball transfer units are loaded, the load capacity is half.

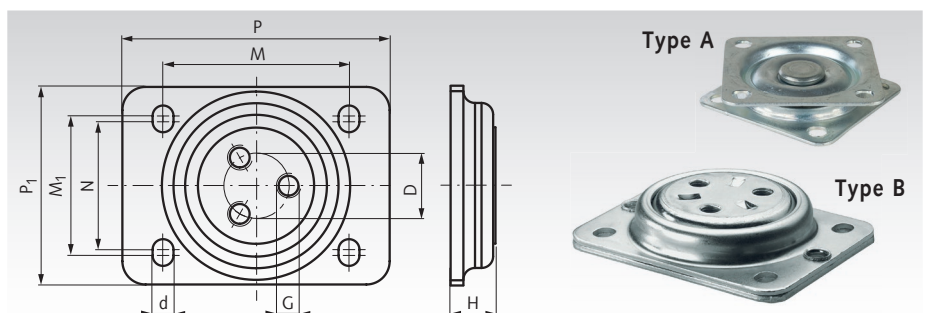
Simple thrust ball bearing

Material: Steel, zinc-plated.

Simple thrust ball bearing with one row of balls, suitable for turntables, or similar devices with uniform load distribution. Due to the simple construction, not designed for moments outside the axis of rotation. Mounting must be horizontal only.

Type A: With flange at the top.

Type B: Without flange at the top.



Ordering Details: e.g.: Product No. 777 903 01,
Thrust ball bearing type A

Product No.	Type	D mm	d mm	H mm	P mm	P ₁ mm	M mm	M ₁ mm	N mm	G mm	Load capacity kg	Weight kg
777 903 01	A	60	6,5*	12	57	57	43	43	-	-	50	0,1
777 903 02	A	87,5	6,5*	17	95	70	75	45	-	-	280	0,3
777 903 03	B	28	9	19	105	85	80	60	53	M10	500	0,5
777 903 04	B	43	11	29	138	109	105	80	75	M12	600	1,2

* No oblong hole, hole with Ø d.