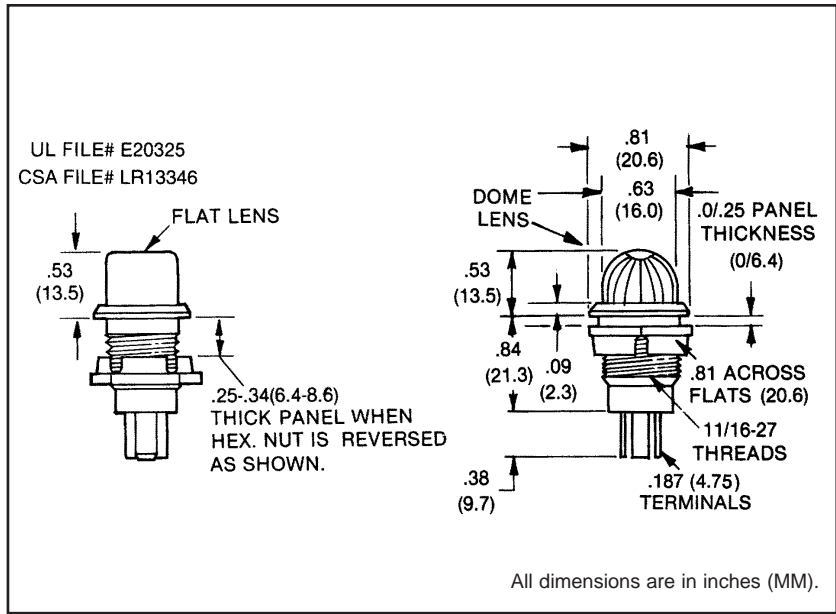


2802 Series Relampable Incandescent Indicator Light

DESCRIPTION AND FEATURES



Ordering Information: For use with T-2 Slide Base (standard) lamps, (see page 2-51). Complete assembly consists of socket (2802), lamp, and lens (see chart below). Items supplied unassembled. Lamp, lens and socket must be ordered separately.

- Mounting:** Supplied with polyester hex nut
- Lens:** Polycarbonate-threaded
- Body:** Black polyester
- Terminals:** Nickel plated brass
- Bezel:** Black

Lens Color	Part Number	
	Dome	Flat
Red	2811	2851
Clear	2812	2852
Amber	2813	2853
White	2814	2854
Green	2815	2855
Blue	2816	2856
Yellow	2817	2857