



## LED Retrofit 11.6W E27,B22



### Product Overview

LED retrofit lamps are direct replacements for conventional incandescent, halogen, and compact fluorescent (CFL) lamps.

LEDs deliver higher lumens per watt (lm/W) which means significant energy savings while lasting more than ten times longer than incandescent sources. With their directional light, instant on and ability to dim, LEDs are fast becoming the light source of choice.

### Features

- Light even distribution.
- More eco-valued.
- Wider beam angle.

### Safety and Maintenance

- Switch off supply before installing or removing lamp.
- Allow to cool before handling.
- Do not use in totally enclosed fittings as this will reduce lamp life.
- Do not dispose of in household waste.
- Dispose of in appropriate section of local civic amenity site or recycling centre.

## Specifications – E27,B22 Cap

SKU	S8706,S8884	S8864,S8883
Lamp Cap	E27	B22
Nominal Power (W)	11.6	11.6
Voltage	220-240Vac 50-60Hz	220-240Vac 50-60Hz
Current (mA)	86	86
Nominal Luminous Flux (lm)	1060	1060
CCT (K)	2700K Warm white	2700K Warm white
Nominal Lifetime (h)	15000	15000
Dimmable	No	No
Switching Cycles	15000	15000
Warm-up time to 60% (S)	0.10	0.10
Length (mm)	120	118
Diameter (mm)	60	60
Mercury (mg)		
Clean-up instructions	See website	See website
Retrofit	Yes	Yes
Equivalent Wattage (W)	75	75
Rated Power (W)	11.6	11.6
Rated Luminous Flux (lm)	1060	1060
Rated Lifetime (h)	15000	15000
Power Factor	0.50	0.50
Rated Peak Candelas (cd)	117	117
Lumen Maintenance Factor at		
Nominal Lifetime	15000	15000
CRI	80	80
Start Time (s)	0.10	0.10
Ambient Temperature Range (°C)	-20 to 40	-20 to 40

## Energy Label – E27,B22 Cap

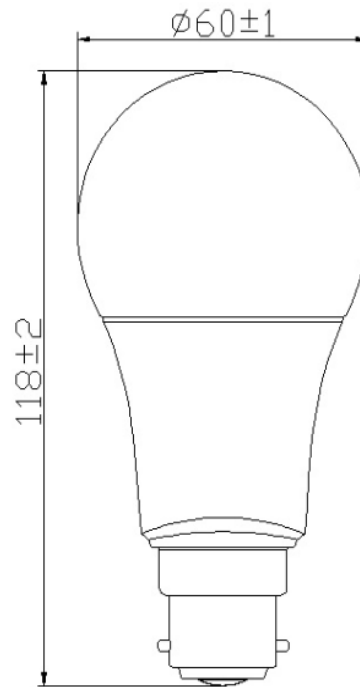
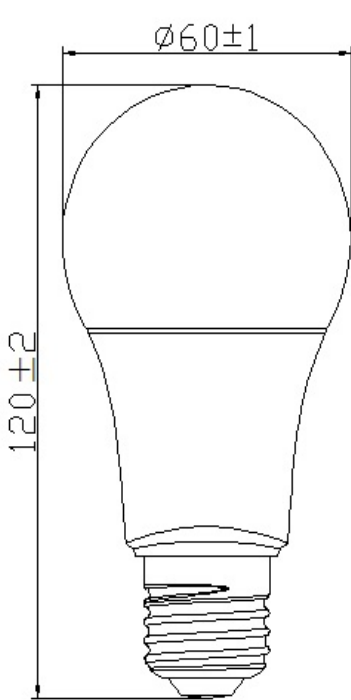
Energy Class	A+	A+
Energy Consumption (kWh/1000h)	11.6 (11.6)*	11.6 (11.6)*

\* The kWh/1000h value published on the energy label is required to be rounded up to an integer according to the EU implementing directive on Energy Labelling. The value to 2 decimal places is given for reference.

## Product Markings – E27,B22 Cap

Voltage	220-240Vac 50-60Hz	220-240Vac 50-60Hz
Nominal Power (W)	11.6	11.6
Current (mA)	86	86
CE Mark	Yes	Yes
WEEE Mark	Yes	Yes
Batch Code	Yes	Yes

Dimensions



S8706,S8884

S8864,S8883

Photometric Information

2700K

