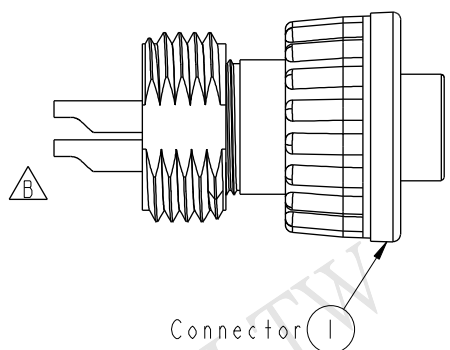
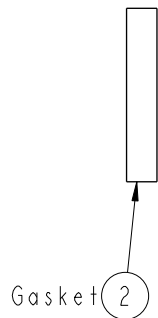
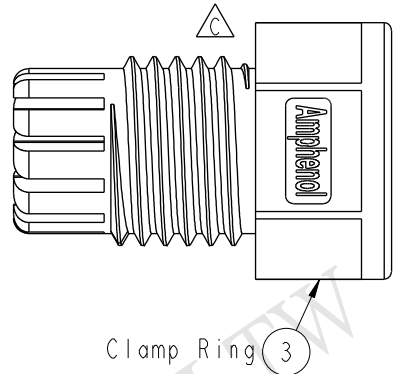
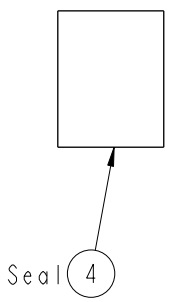
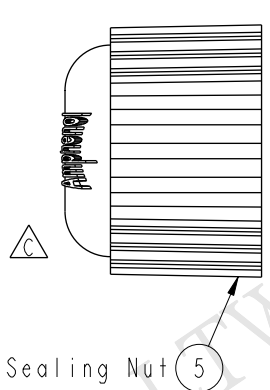
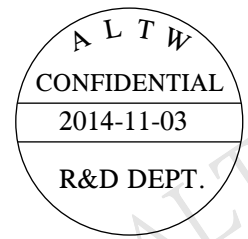


THIS DOCUMENT IS SUBJECT TO CHANGE WITHOUT NOTICE. IT IS CONFIDENTIAL AND A PROPERTY OF Amphenol LTW. DISCLOSURE TO THIRD PARTY HAS TO BE AUTHORIZED BY Amphenol LTW.

REV.	ECN NO.	DATE	SIGN	DESCRIPTION
B	LEN-0C0251	2010/11/25	Ivan Lin	Change View & Frame
C	LEN14B0086	2014/11/03	Vicky	Update Logo



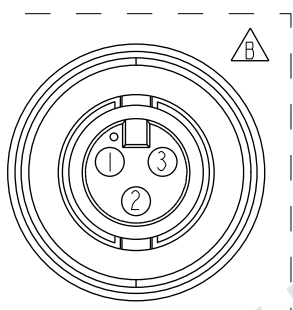
Sealing Nut (5)

Seal (4)

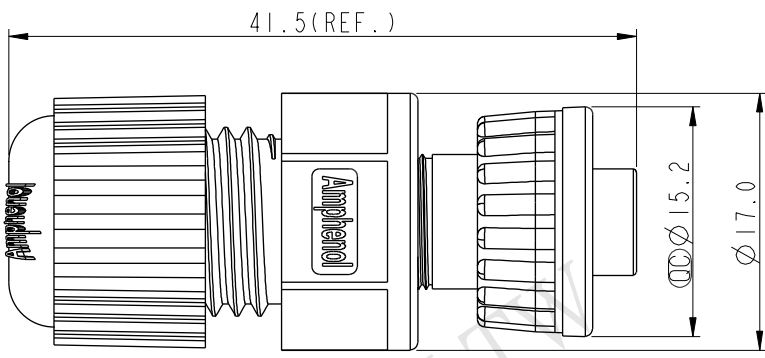
Clamp Ring (3)

Gasket (2)

Connector (1)



Pin Assignments
Front View



Note:

- * (CC) Important Dimension To Check.
- * Waterproof Rate: IP67
- * Housing: Nylon+GF, Black
- * Female Pin: Copper Alloy, Gold Plated
- * O-Ring: EPDM, Black
- * Lock Nut: Nylon+GF, Black
- * Gasket: EPDM, Black
- * Clamp Ring: Nylon, Black
- * Seal: EPDM, Black
- * Sealing Nut: Nylon, Black
- * Seal For Cable OD: $\varnothing 4.5\text{mm} \sim \varnothing 6.5\text{mm}$
(防水墊圈線徑: $\varnothing 4.5\text{mm} \sim \varnothing 6.5\text{mm}$)
- * One Set Unassembled In One PE Bag
(每一組未組裝, 放置於一個PE袋, 並封口)

UNIT:mm		
TOLERANCE	.X ±0.25	
.XX ±0.1		
.XXX ±0.05		
ANGLES	±1°	

TITLE Mini Assy Lock 3Pin F Conn F Pin			
SCALE 2:1	SIZE A4	SHEET 1 OF 1	
REV. C	WC-REV. A.3	(CC): Inspection item	

Amphenol LTW
安費諾亮泰企業股份有限公司

ITEM NO. AD-03BFFA-LL7001	DRAWN BY Vicky	DATE 2014-11-03
DWG NO. AD-03BFFA-LL7001	CHECKED BY Sam	DATE 2014-11-03
CUSTOMER ALTW	APPROVED BY Rita	DATE 2014-11-03