

The PicoZed™ FMC Carrier Card V2 is the 2nd generation FMC Carrier supporting the PicoZed System-on-Module. This Carrier supports development of PicoZed-based designs with a platform containing all the necessary interfaces and I/O expansion required for the PicoZed family of SOMs. The carrier card provides connector interfaces for the on-module Gigabit Ethernet PHY and USB PHY, and also supports common processor system interfaces including μSD card and USB-UART. A majority of the PicoZed's programmable logic I/O are made available through an LPC FMC connector. In addition, an HDMI output port and several peripheral module connectors are included. The four serial transceivers on the 7015 and 7030 SOMs are allocated to a x1 PCIe Gen2 card edge interface, the FMC connector, a SFP+ cage, and a general purpose SMA interface.

FEATURES

Memory

- microSD card socket with 8GB microSD Card
- Clock Synthesizer configuration EEPROM
- I2C MAC ID EEPROM
- 1-wire MAC ID EEPROM (7015/7030 only)

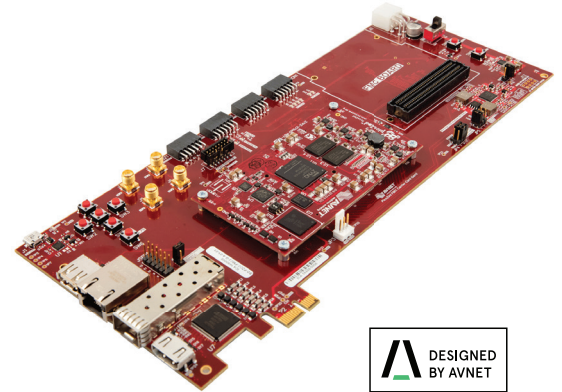
Communications

- x1 PCIe Gen 2
- SFP+
- SMA port for GTX/GTP
- 10/100/1000 Ethernet connector
- USB 2.0 Type A connector
- USB UART

User I/O

- FMC (Low Pin Count)
- PS Pmod (Shared with SOM eMMC)
- PL Pmods #1,#2 (7015/20/30 only)
- PL Pmod #3 (7015/30 only)
- Software
- PetaLinux
- Wind River Pulsar Linux pre-loaded on microSD card

To purchase this kit, visit www.microzed.org/pzcc-fmc2



COMPATIBLE WITH

/PICOZED™

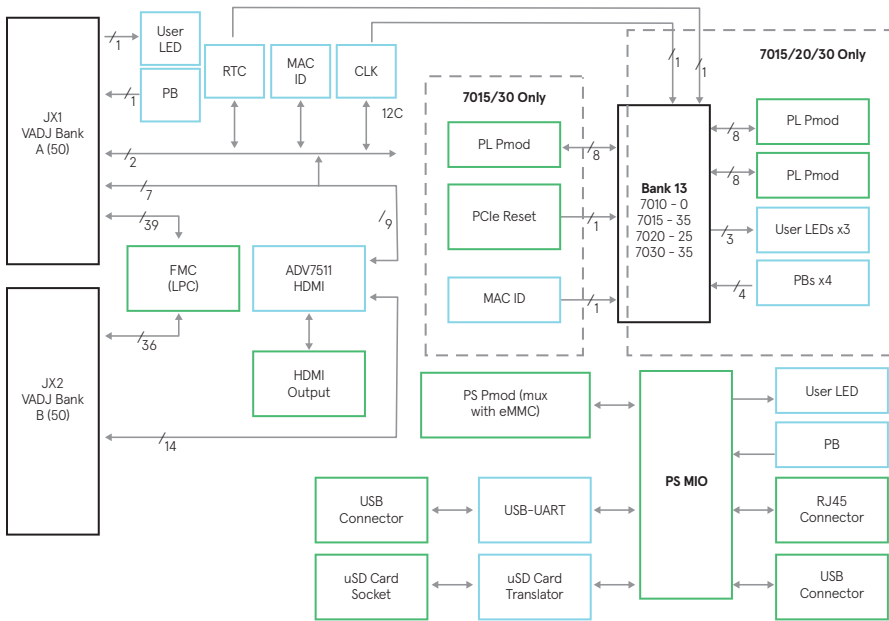
KIT INCLUDES

- PicoZed FMC Carrier Card V2
- 8 GB microSD card preloaded with Wind River Pulsar Linux (with SD adapter card)
- USB A to micro-B cable
- ATX-to-6P Mini-Fit adapter
- PCIe bracket
- Mounting hardware for SOM
- 12V AC/DC international supply
- Quick Start instructions (board and Pulsar)

TARGET APPLICATIONS

- PicoZed prototyping
- Zynq evaluation
- FMC prototyping
- PCIe prototyping
- Zynq transceiver evaluation
- Linux development

BLOCK DIAGRAM



Features cont...

Other

- HDMI output port
- JTAG configuration port
- High-performance clock-frequency synthesizer
- Real-time clock
- User push buttons and LEDs
- Adjustable bank voltage power supplies

FEATURED MANUFACTURERS



PARTS

Part Number	Description
AES-PZCC-FMC-V2-G	PicoZed FMC Carrier Card V2 Kit

RELATED PARTS

Part Number	Description
AES-Z7PZ-7Z010-SOM-G	7010 PicoZed SOM
AES-Z7PZ-7Z015-SOM-G	7015 PicoZed SOM
AES-Z7PZ-7Z020-SOM-G	7020 PicoZed SOM
AES-Z7PZ-7Z030-SOM-G	7030 PicoZed SOM
AES-FMC-HDMI-CAM-G	HDMI Input/Output FMC Module with Camera Interface
AES-FMC-ISMNET2-G	ISM Networking FMC Module (version 2)

Countries Available for Purchase: Americas, EMEA, Asia, Japan

CONTACT INFORMATION

North America
2211 S 47th Street
Phoenix, Arizona 85034
United States of America
eval.kits@avnet.com
1-800-585-1602

Europe
Gruber Str. 60c
85586 Poing
Germany
marketing@silica.com
+49-8121-77702

Japan
Yebisu Garden Place Tower, 23F
4-20-3 Ebisu, Shibuya-ku
Tokyo 150-6023 Japan
eval-kits-jp@avnet.com
+81-(0)3-5792-8210

Asia
151 Lorong Chuan
#06-03 New Tech Park
Singapore 556741
XilinxAPAC@avnet.com
+65-6580-6000