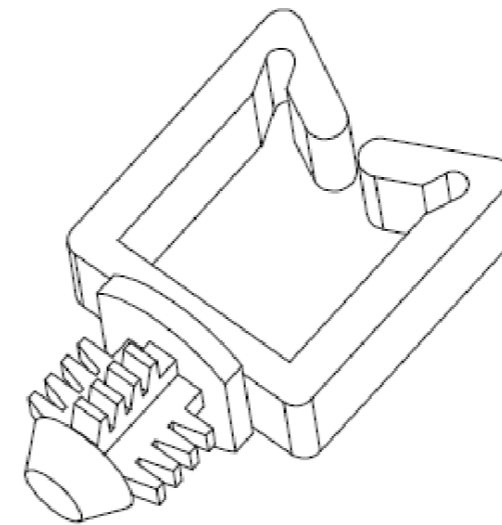
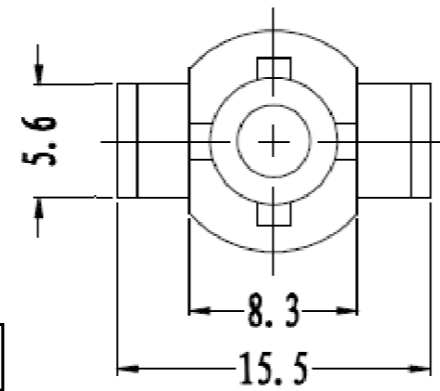
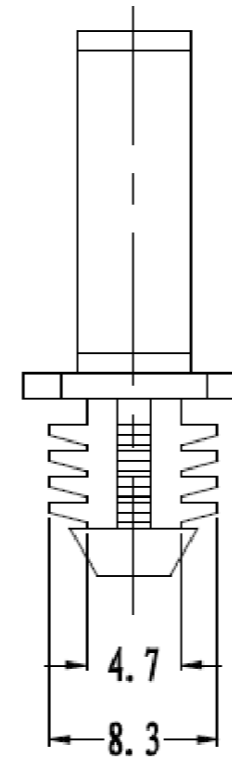
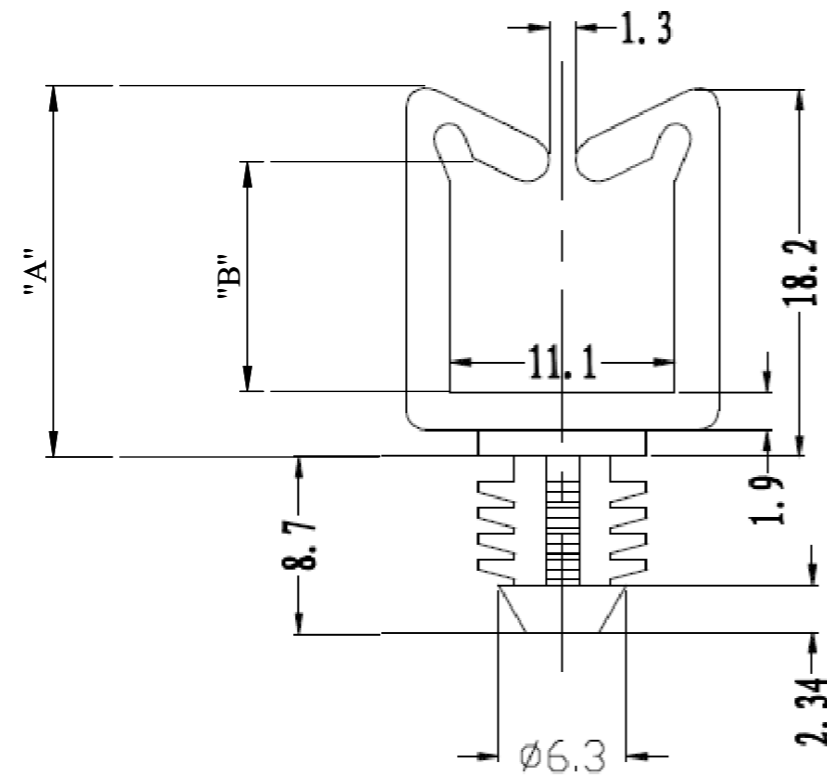


DEBUR AND BREAK SHARP EDGES

DO NOT SCALE DRAWING

REVISION



PART No.	"A"	"B"
TRWSBH-1-01	13	3.6
TRWSBH-2-01	18.3	8.6
TRWSBH-3-01	27.2	17.8
TRWSBH-4-01	35.6	25.9

C	PT.No. TABLE ADDED M.E. 27/06/14
B	DRG NO CHANGED M.E.19/06/14
A	DRAWN 01/11/13

NOTES

1. MATERIAL: PA66 UL94 V2;
2. COLOR: NATURAL/BLACK;
3. ROHS Compliant;
4. Hole: $\varnothing 7.9 \pm 0.08\text{mm}$,
Panel Thickness: 6.4mm;



DESIGN RIGHT. TR FASTENINGS LTD, 2003
UNDER NO CIRCUMSTANCES MUST THIS
DRAWING BE COPIED OR DISCLOSED,
WITHOUT FIRST OBTAINING WRITTEN
AUTHORITY.

UNLESS OTHERWISE SPECIFIED:
DIMENSIONS ARE IN MILLIMETERS
SURFACE FINISH:
TOLERANCES:

NAME	DATE
DRAWN MARTIN ELLIOTT	01/11/13
CHK'D	
APPV'D	

CUSTOMER PART No

MATERIAL:
SEE NOTES

HEAT TREATMENT

N/A

FINISH:
N/A

TITLE:

WIRE SADDLE BLIND HOLE

DWG NO.
TRWSBH-X-01

A3