

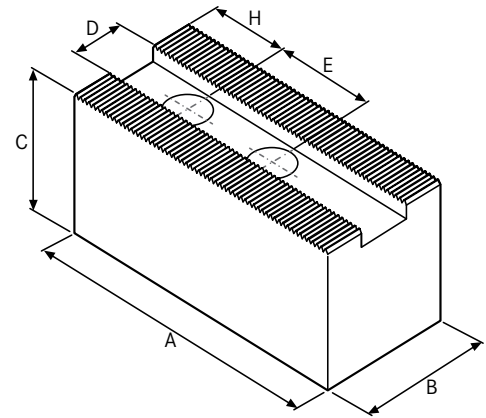
Interchangeable jaw grip, soft
Made from steel



Delivery

3 pieces in a set

Art. No.	22430 408
Jaws length	90 mm
Jaws width	40 mm
Jaws height	50 mm
Jaw length x jaw width x jaw height	90 x 40 x 50 mm
Groove width	14 mm
Drilling clearance	26 mm
Suitable for thread	M10
Material of the jaws	Steel



EAN-Code

4050293685411