



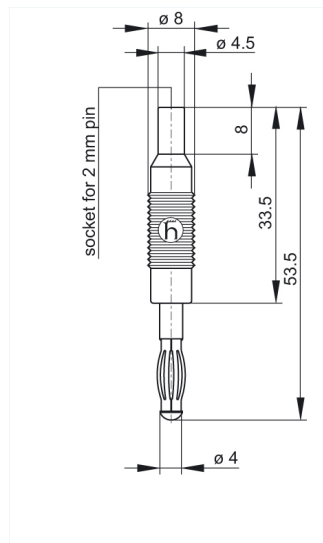
MZS 4 schwarz/black

Industrial Connectors:Measuring and Testing Equipment:Plugs:2 mm system

Product description

Description	Injection-moulded adapter plug from 4 mm diameter plug to 2 mm diameter socket. This adapter plug enables the use of 2 mm system plugs and 4 mm system measuring leads.
Type	MZS 4 schwarz/black
Order No.	973 599-100
System	2 mm system, 4 mm system
Housing Color	black
Other standard types	red color, order no. 973 599-101

Drawing



Technical data

Pin dimensions	4 mm pin and 2 mm socket
Type of contact	2 mm socket (spring-loaded), 4 mm pin (spring-loaded)
Type of termination	plug
Rated voltage	DC 60 V
Rated current	6 A
Contact resistance	6 mOhm

Material

Contact material	copper beryllium
Contact surface material	nickel-plated
Housing material	PP

Environmental conditions

Temperature range	-20 °C to +60 °C
-------------------	------------------

Inflammability class

Housing	94 HB
---------	-------