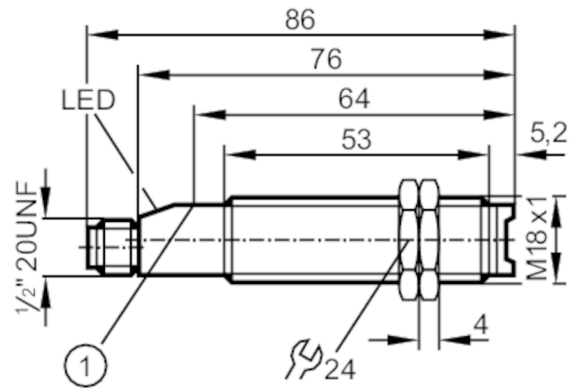




Through-beam sensor receiver

OGE-HBOA/LS-100-AK



1 pushbutton



Product characteristics

| | |
|-----------------|------------------|
| Type of light | infrared light |
| Housing | threaded type |
| Dimensions [mm] | M18 x 1 / L = 76 |

Application

| | |
|--------------------|---------------------|
| Function principle | Through-beam sensor |
|--------------------|---------------------|

Electrical data

| | |
|-----------------------------|----------------|
| Frequency AC [Hz] | 47...63 |
| Operating voltage [V] | 20...250 AC/DC |
| Current consumption [mA] | < 5 |
| Protection class | II |
| Reverse polarity protection | no |
| Type of light | infrared light |
| Wave length [nm] | 880 |



Through-beam sensor receiver

OGE-HBOA/LS-100-AK

| Outputs | |
|--|--|
| Output function | light-on mode |
| Max. voltage drop switching output DC [V] | 8 |
| Max. voltage drop switching output AC [V] | 8 |
| Minimum load current [mA] | 5 |
| Max. leakage current [mA] | 1.7 |
| Permanent current rating of switching output AC [mA] | 90; (180 (...40 °C)) |
| Permanent current rating of switching output DC [mA] | 90; (180 (...40 °C)) |
| Short-time current rating of switching output [mA] | 600; (20 ms / 0,5 Hz) |
| Switching frequency AC [Hz] | 25 |
| Switching frequency DC [Hz] | 25 |
| Short-circuit proof | no |
| Overload protection | no |
| Detection zone | |
| Transmitter / receiver | receiver |
| Range [m] | < 15 |
| Range adjustable | yes |
| Operating conditions | |
| Ambient temperature [°C] | -25...80 |
| Protection | IP 67 |
| Tests / approvals | |
| EMC | EN 60947-5-2 |
| | EN 55011 class B |
| MTTF [years] | 334 |
| Mechanical data | |
| Weight [g] | 38.7 |
| Housing | threaded type |
| Dimensions [mm] | M18 x 1 / L = 76 |
| Thread designation | M18 x 1 |
| Materials | PBT |
| Lens material | PMMA |
| Displays / operating elements | |
| Display | switching status |
| | function |
| | 1 x LED, red |
| | 1 x LED, red flashing light |
| Electrical connection | |
| Required protection | miniature fuse to IEC60127-2 sheet 1; ≤ 2 A; fast acting |
| Accessories | |
| Accessories (supplied) | lock nuts: 2 x |

OG0031



Through-beam sensor receiver

OGE-HBOA/LS-100-AK

Remarks

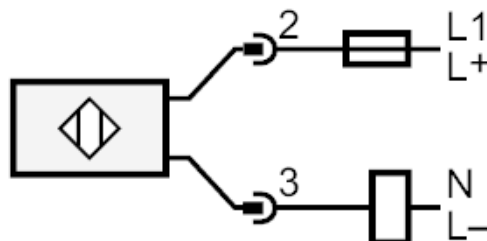
| | |
|---------------|---|
| Remarks | Recommendation: Check the safe functioning of the unit after a short circuit. |
| Pack quantity | 1 pcs. |

Electrical connection

Connector: 1 x 1/2"



Connection



Note : miniature fuse to IEC60127-2 sheet 1 \leq 2 A fast acting



Through-beam sensor receiver

OGE-HBOA/LS-100-AK

Diagrams and graphs

excess gain graph

