



Part no.: 50130437
E7-MW1
Signaling column element



Figure can vary

Contents

- Technical data
- Dimensioned drawings
- Electrical connection
- Notes

Part no.: 50130437 – E7-MW1 – Signaling column element

Technical data

Basic data

Series	E7
--------	----

Connection

Connection 1

Type of connection	Terminal
Type of terminal	Tension spring technology

Mechanical data

Dimension (Ø x L)	70 mm x 81 mm
Housing material	Plastic
Housing color	Black
Design of mounting device	Bracket mounting
Type of fastening, at system	Screw type / vertical
Lens modules	Max. 5 pieces
Module holder	One side
Number of end caps	1 Piece(s)

Environmental data

Ambient temperature, operation	-30 ... 60 °C
--------------------------------	---------------

Certifications

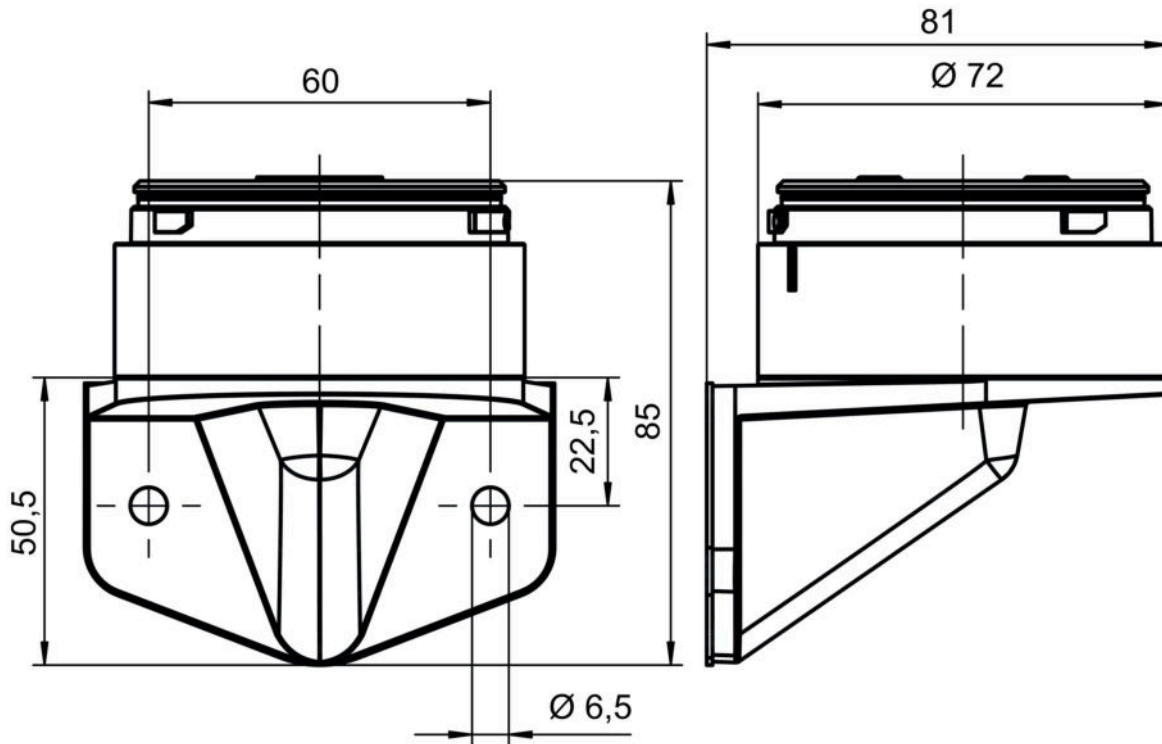
Degree of protection	IP 66
----------------------	-------

Classification

Customs tariff number	85318070
eCl@ss 8.0	27371232
eCl@ss 9.0	27371232
ETIM 5.0	EC001152
ETIM 6.0	EC001152

Dimensioned drawings

All dimensions in millimeters



Electrical connection

Connection 1	
Type of connection	Terminal
Function	
Type of terminal	Tension spring technology

Notes

Observe intended use!

- This product is not a safety sensor and is not intended as personnel protection.
- The product may only be put into operation by competent persons.
- Only use the product in accordance with its intended use.

For UL applications:

- For UL applications, use is only permitted in Class 2 circuits in accordance with the NEC (National Electric Code).