



Model Number

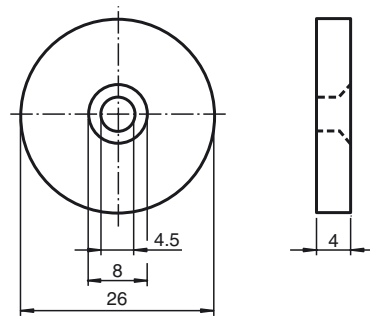
IPC02-26-T6 10pcs

Code carrier

Features

- Degree of protection IP68
- Battery-free high temperature code carrier
- 40 bit fix code
- Readable from both sides
- Mounting holes for simple installation
- Packaging unit: 10 pieces

Dimensions



Technical data

General specifications

Operating frequency	125 kHz
Transfer rate	2 kBit/s

Memory

Chip Type	EM4102 Unique (EM Microelectronic)
Type/Size	ROM 64 Bit (40 Bit code, 24 bit data security)
Read cycles	unlimited

Ambient conditions

Ambient temperature	-25 ... 85 °C (-13 ... 185 °F) 20 ... 160 °C (68 ... 320 °F) for 100 x 5 minutes with transposition every 30 seconds
Storage temperature	-25 ... 140 °C (-13 ... 284 °F) for 1000 hours 200 °C (473 K) for 5 x 35 minutes
Shock and impact resistance	Shock: 40 g, 18 ms in 6 spatial axes 2000 x in accordance with IEC 68-2-29 Vibration: 10 g, 10 ... 2000 Hz, 2.5 hours in 3 spatial axes in accordance with IEC 68-2-6

Mechanical specifications

Degree of protection	IP68 (24 hours in water 1 m deep)
Material	
Housing	PA
Mass	3.6 g
Note	Packaging unit, 10-piece

Notes

The transponder can be read from either side.