

ADAPTER CYLINDER LOCK ACCESSORY POCKET ACCESSORY
FOR: 3VA5 250



Model

Product designation

Accessories

Certificates

General Product Approval

EMC

Declaration of
Conformity

other



CSA



UL



RCM



EG-Konf.

[Miscellaneous](#)

Further information

Information- and Downloadcenter (Catalogs, Brochures,...)

<http://www.siemens.com/lowvoltage/catalogs>

Industry Mall (Online ordering system)

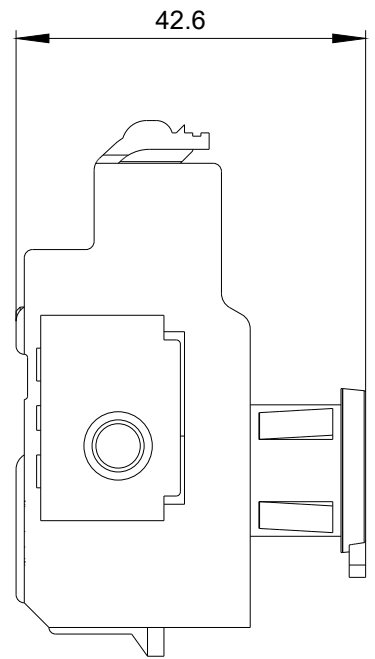
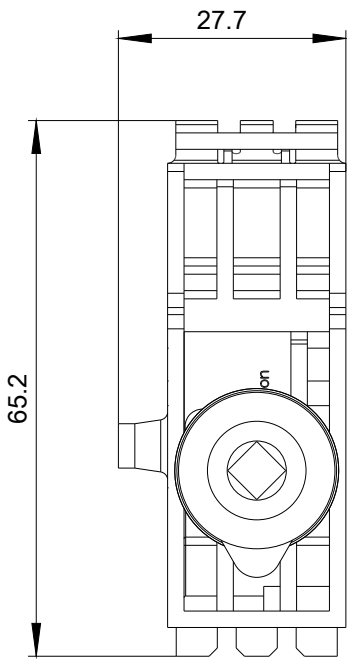
<https://mall.industry.siemens.com/mall/en/en/Catalog/product?mlfb=3VA9237-0LF10>

Service&Support (Manuals, Certificates, Characteristics, FAQs,...)

<https://support.industry.siemens.com/cs/ww/en/ps/3VA9237-0LF10>

Image database (product images, 2D dimension drawings, 3D models, device circuit diagrams, ...)

http://www.automation.siemens.com/bilddb/cax_en.aspx?mlfb=3VA9237-0LF10



last modified:

08/28/2017