

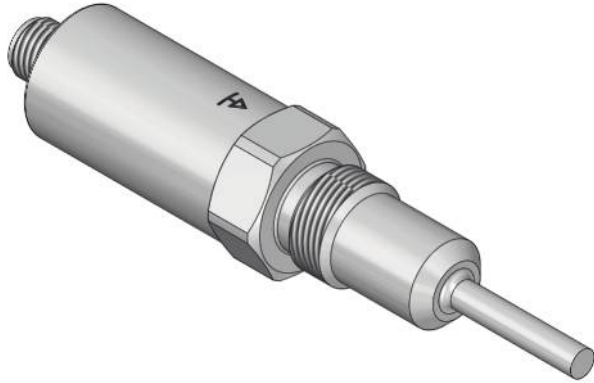
Flow Sensor

2 × Analog Output

FXFF147

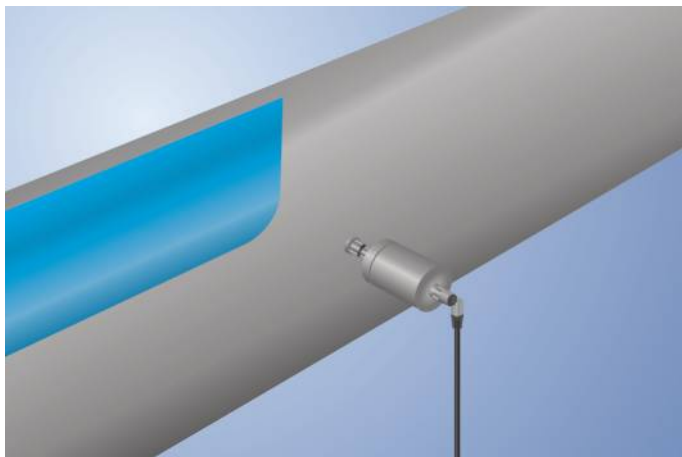
Part Number

weFlux² InoxSens



- 2 analog outputs: 4 ... 20 mA
- A single sensor for flow and temperature
- FDA compliant
- Measurement independent of flow direction and installation position

weFlux² Flow Sensors with two analog outputs simultaneously measure flow velocity and the temperature of aqueous liquids regardless of position and direction of flow. Advantage: The number of measuring points and the diversity of sensor variants are cut in half, and greatest possible flexibility is assured for installation in closed piping systems. The analysis module is integrated into the compact housing.



Technical Data

Sensor-specific data

Measuring Range	10...400 cm/s
Temperature of the medium, flow measurement	0...125 °C**
Temperature of the medium, temperature measurement	-25...150 °C
Adjustable Range	10...400 cm/s
Medium	Water
Measuring error	≤ 2 %
Response time in case of temperature jump	10 s

Environmental conditions

Ambient temperature	-25...80 °C
Storage temperature	-25...80 °C
Mechanical Strength	100 bar
EMC	DIN EN 61326-1
Shock resistance per DIN IEC 68-2-27	30 g / 11 ms
Vibration resistance per DIN IEC 60068-2-6	5 g (10...2000 Hz)

Electrical Data

Supply Voltage	12...32 V DC
Current Consumption (U _b = 24 V)	< 40 mA
Analog Outputs	2
Analog Output	4...20 mA Flow O2 / Temp O1
Response Time	1...5 s
Short Circuit Protection	yes
Reverse Polarity Protection	yes
Protection Class	III

Mechanical Data

Housing Material	1.4404
Material in contact with media	1.4404
Degree of Protection	IP68/IP69K *
Connection	M12 × 1; 4-pin
Process Connection	G 1/2" hygienic design
Probe Length (PL)	32 mm

Analog output flow	●
Analog output temperature	●

Connection Diagram No. **141**

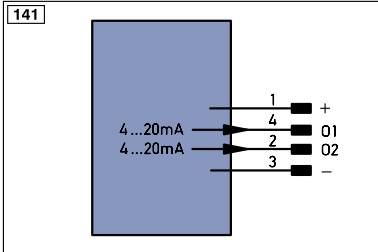
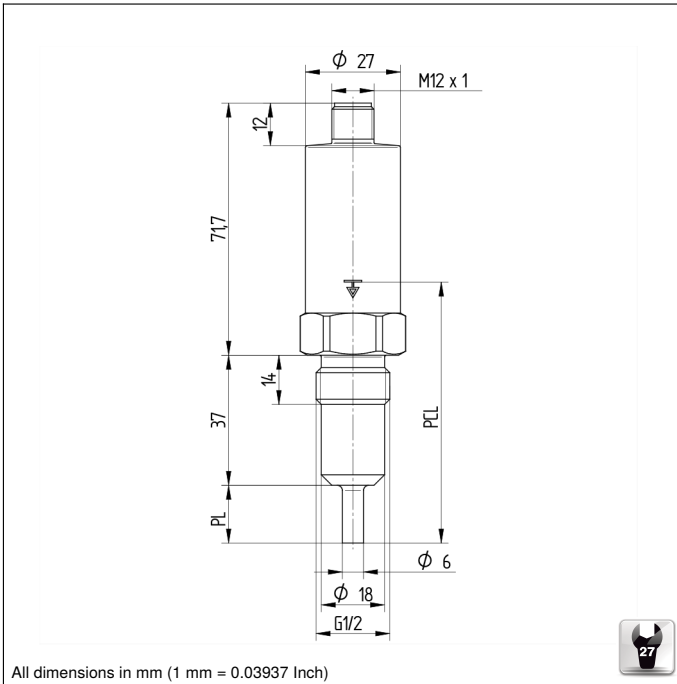
Suitable Connection Technology No. **21**


* Tested by wenglor

** The sensors were calibrated and specified for the medium water. Technically, the sensors are suitable for a medium temperature of up to -25 °C. To achieve a temperature below 0 °C, a different medium must be added to the water. This leads to a different measurement result, which is why a use under 0 °C must be tested individually for the mixture used.

Complementary Products

Software



Legend	
+	Supply Voltage +
-	Supply Voltage 0 V
~	Supply Voltage (AC Voltage)
A	Switching Output (NO)
\bar{A}	Switching Output (NC)
V	Contamination/Error Output (NO)
\bar{V}	Contamination/Error Output (NC)
E	Input (analog or digital)
T	Teach Input
Z	Time Delay (activation)
S	Shielding
RxD	Interface Receive Path
TxD	Interface Send Path
RDY	Ready
GND	Ground
CL	Clock
E/A	Output/Input programmable
	IO-Link
PoE	Power over Ethernet
IN	Safety Input
OSSD	Safety Output
Signal	Signal Output
Bl..D +/-	Ethernet Gigabit bidirect. data line (A-D)
EN0..RS422	Encoder 0-pulse 0-0 (TTL)
PT	Platinum measuring resistor
nc	not connected
U	Test Input
\bar{U}	Test Input inverted
W	Trigger Input
O	Analog Output
O-	Ground for the Analog Output
BZ	Block Discharge
AWV	Valve Output
a	Valve Control Output +
b	Valve Control Output 0 V
SY	Synchronization
E+	Receiver-Line
S+	Emitter-Line
\pm	Grounding
SnR	Switching Distance Reduction
Rx +/-	Ethernet Receive Path
Tx +/-	Ethernet Send Path
Bus	Interfaces-Bus A(+)/B(-)
La	Emitted Light disengageable
Mag	Magnet activation
RES	Input confirmation
EDM	Contact Monitoring
ENAR5422	Encoder A/A (TTL)
ENBR5422	Encoder B/B (TTL)
ENa	Encoder A
ENb	Encoder B
AMIN	Digital output MIN
AMAX	Digital output MAX
AOK	Digital output OK
SY In	Synchronization In
SY OUT	Synchronization OUT
OLt	Brightness output
M	Maintenance
rsv	reserved

Wire Colors according to DIN IEC 757

BK	Black
BN	Brown
RD	Red
OG	Orange
YE	Yellow
GN	Green
BU	Blue
VT	Violet
GY	Grey
WH	White
PK	Pink
GNYE	Green/Yellow

