

## Index Plungers · with hexagon collar, stainless steel A4

22120.1090



### Product Description

Index plungers are used for indexing bores.  
The stainless steel A4 version ensures maximum corrosion resistance.

### Material

#### Body

- Stainless steel 1.4401

#### Locking pin

- Stainless steel 1.4401 nickel-plated

#### Knob

- Stainless steel 1.4401

#### Lock nut

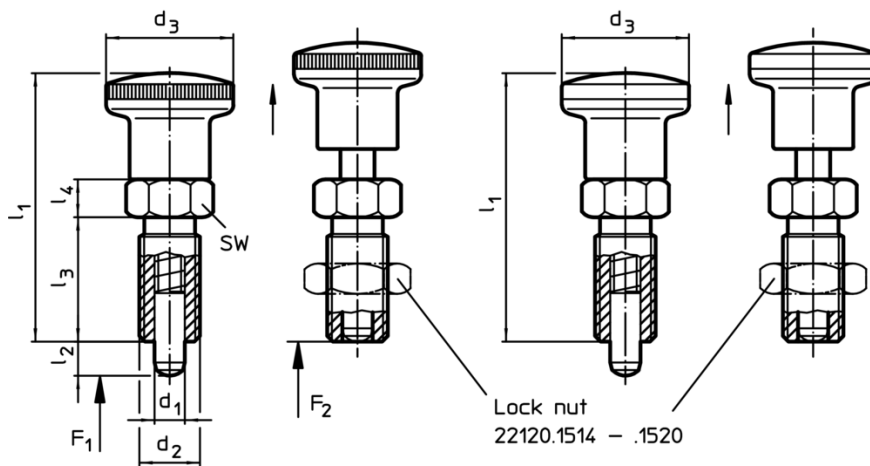
- Stainless steel 1.4401

### More information

#### Notes

Knob not removable.  
Lock nuts have to be purchased separately.

### Drawing



picture 1



picture 2

### Order information

Dimensions							Spring load <sup>1)</sup>		🌡️	📦	Art. No.
d <sub>1</sub>	d <sub>2</sub>	l <sub>2</sub> min.	d <sub>3</sub>	l <sub>1</sub>	l <sub>3</sub>	l <sub>4</sub>	F <sub>1</sub> ~	F <sub>2</sub> ~	max.		
[mm]							[N]		[°C]	[g]	
-0.02 -0.05											
<b>with knob of stainless steel – picture 2</b>											
10	M16 x 1,5	12	27	58	26	8	7.5	32	100	111	22120.1090

<sup>1)</sup> statistical average value

Accessories

	Dimensions d <sub>2</sub> [mm]	Wrench size [mm]	 [g]	Art. No.
<b>Lock nuts ISO 8675 (DIN 439), Stainless steel 1.4401</b>				
	M16 x 1,5	24	18.0	22120.1518

Compliance

**RoHS compliant**

Contains lead - compliant according to exceptions 6a / 6b / 6c

**Contains SVHC substances >0,1% w/w**

Contains lead - SVHC list [REACH] as of 10.06.2022

**Contains Proposition 65 substances**



Lead can cause cancer and reproductive harm from exposure  
<https://www.P65Warnings.ca.gov/>

**Free from Conflict Minerals**