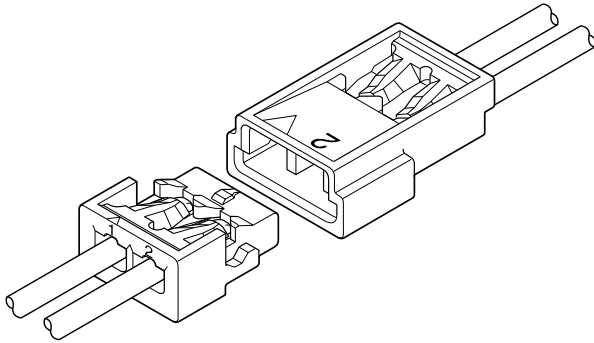


ACH CONNECTOR

1.2mm pitch/Disconnectable Crimp style Wire-to-wire connectors



This is the wire-to-wire connector for DC power supply.

- Connector for DC power supply
- Common use with the existing socket contact of ACH connector (for PC board)

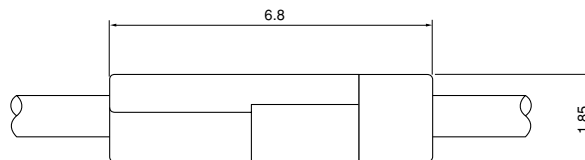
Specifications

- Current rating: 2 A AC, DC
 - Voltage rating: 50 V AC, DC
 - Temperature range: -25°C to +85°C
(including temperature rise in applying electrical current)
 - Contact resistance: Initial value/ 10 mΩ max.
After environmental tests/ 20 mΩ max.
 - Insulation resistance: 100 MΩ min.
 - Withstanding voltage: 500 VAC/minute
 - Applicable wire: Conductor size/ AWG #30 to #28
Insulation O.D./ 0.5 to 0.63 mm
- * Refer to "General Instruction and Notice when using Terminals and Connectors" at the end of this catalog.
* Contact JST for details.
* Compliant with RoHS.

Standards

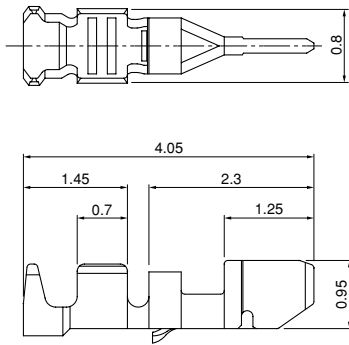
Recognized E60389

Certified LR20812

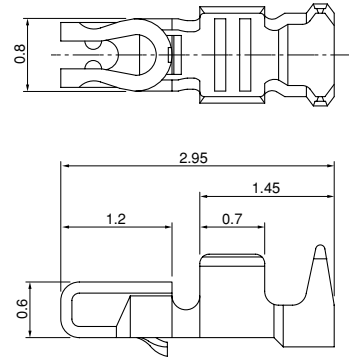


Contact

Plug contact



Socket contact



Model No.		Applicable wire		Insulation O.D. (mm)	Q'ty/reel
Plug contact	Socket contact	mm ²	AWG #		
SACHP-003G-P0.2	SACH-003G-P0.2	0.05~0.08	30~28	0.5~0.63	30,000

Material and Finish

Copper alloy, nickel-undercoated, gold-plated

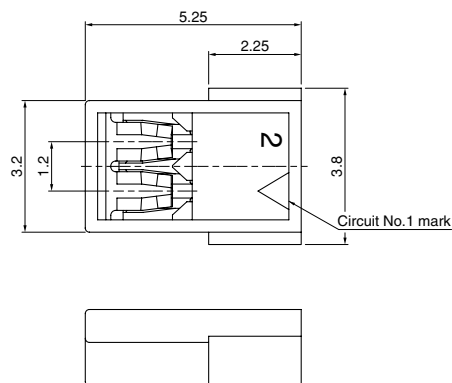
RoHS compliance

Contact	Crimping machine	Applicator		
		Crimp applicator	Dies	Crimp applicator with dies
SACHP-003G-P0.2	AP-K2N	MKS-L-10-3	MK/SACHP-003-02	APLMK SACHP003-02
		—	—	—

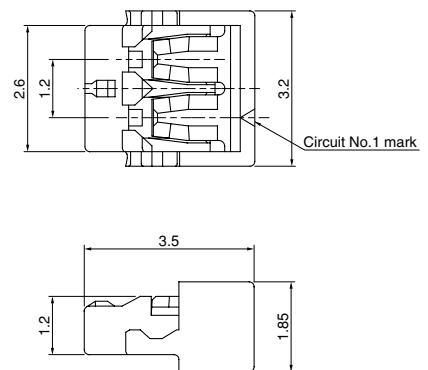
Contact	Crimping machine	Applicator		
		Crimp applicator	Dies	Crimp applicator with dies
SACH-003G-P0.2	AP-K2N	MKS-L-10-3	MK/SACH-003-02	APLMK SACH003-02
		—	—	—

Housing

Plug housing



Socket housing



Model No.		Q'ty/box
Plug housing	Socket housing	
ACHTP-02V-S	ACHTR-02V-S	1,000

Material

PBT, UL94V-0, natural (white)

RoHS compliance