

## Indoor Access Control Keypad

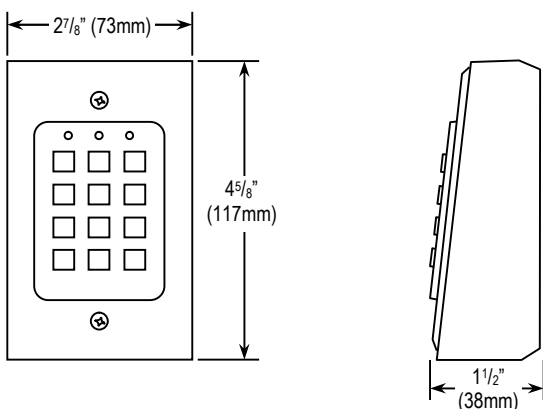
**SK-1011-SDQ** 1,000 Users, 1 relay

### Features:

- 1,000 Users. Codes may be 4-8 digits:
  - Output – Form C relay, 1A@30VDC, 1,000 users
- Output can be programmed to activate for up to 99,999 seconds (nearly 28 hours)
- Super user code gives admin access to keypad
- Always-on backlit keypad
- Up to 50 (01~50) possible temporary visitor codes, which can be programmed for one-time or limited-time use (1~99 hours)
- Programmable egress input with optional warning alarm and delayed egress
- Real-time clock to auto-disable access at specific times
- Up to 50 (01~50) duress codes
- 12~24 VDC/VAC Auto-adjusting operation
- All features are programmed directly from the keypad: No need for an external programmer
- Indoor keypad
- Mounts to a standard single-gang back box (surface-mount back box included)
- Durable and attractive stainless steel faceplate
- Tamper output: N.C. Dry contact, 50mA@24VDC max.



### Dimensions:



### Specifications:

Operating voltage	12~24 VDC/VAC	
Current draw (at 12VDC)	Standby	15mA
	Keypress	30mA
	Output 1 active	55mA
	Total max current draw	90mA
Output	#1 – Form C	1A@30VDC
	Tamper	50mA@24VDC
Egress input	N.O. Ground	
Operating temperature	-4°~158° F (-20°~70° C)	
Operating humidity	5~95% Non-condensing	
Dimensions (including back box)	4 5/8" x 2 7/8" x 1 1/2" (117x73x38 mm)	
Weight	6-oz (170g)	

**SECO-LARM® U.S.A., Inc.**

16842 Millikan Avenue, Irvine, CA 92606

Phone: (949) 261-2999 | (800) 662-0800 Fax: (949) 261-7326

Website: www.seco-larm.com Email: sales@seco-larm.com

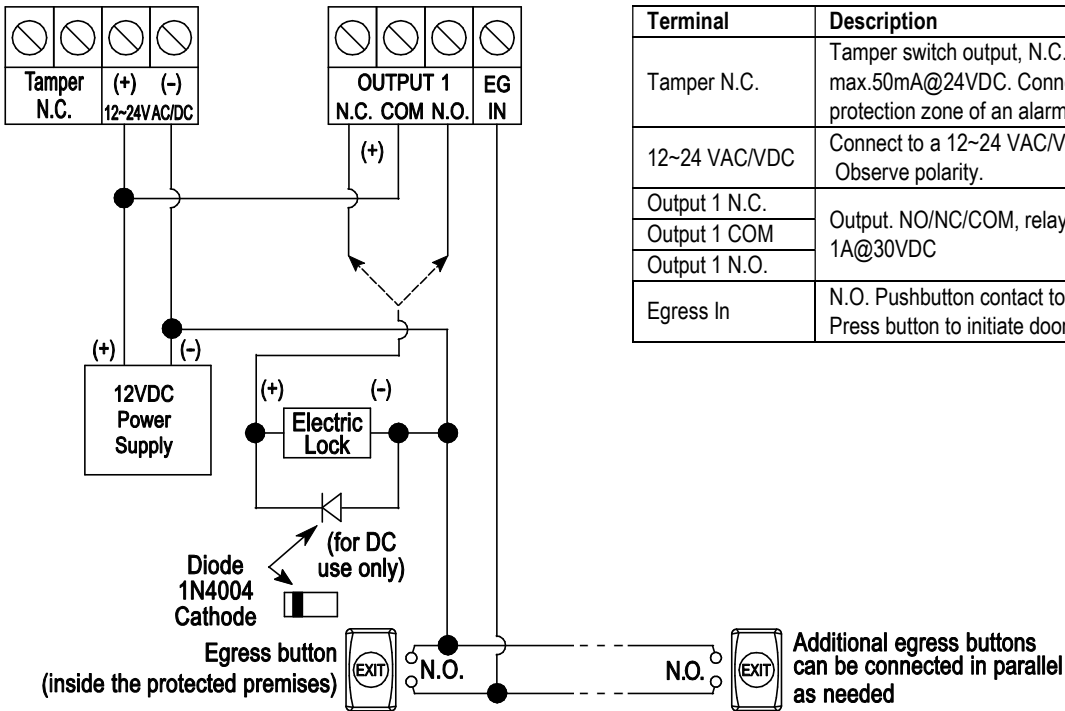


Copyright © 2020 SECO-LARM U.S.A., Inc. All rights reserved. All trademarks are the property of SECO-LARM U.S.A., Inc. or their respective owners. The SECO-LARM policy is one of continual development. For that reason, SECO-LARM reserves the right to change prices and specifications without notice. SECO-LARM is not responsible for misprints.

**SECO-LARM® ENFORCER® CRIMEBUSTER® CBA SLI®**

PI\_SK-1011-SDQ\_200917.docx

## Quick Sample Wiring:



## Connection Terminals:

Terminal	Description
Tamper N.C.	Tamper switch output, N.C. contact, max.50mA@24VDC. Connect to the N.C. 24-hour protection zone of an alarm if needed.
12~24 VAC/VDC	Connect to a 12~24 VAC/VDC power supply. Observe polarity.
Output 1 N.C.	Output. NO/NC/COM, relay output, max. 1A@30VDC
Output 1 COM	
Output 1 N.O.	
Egress In	N.O. Pushbutton contact to ground. Press button to initiate door unlock output

## Status Buzzer and LEDs:

### Red LED

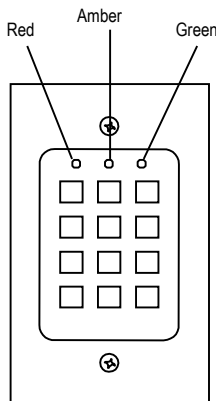
Illuminates when the door lock input has been inhibited.

### Amber LED

Flashes to show the keypad status (see chart).

### Green LED

Illuminates when any output is activated.



## LED Indicators

	Red LED (Left)	Amber LED (Center)	Green LED (right)
Steady	Output inhibited	Programming mode	Output activated
Flashing	Output inhibit paused	Standby mode	-

## Keypad Sounds and Amber LED

STATUS	BUZZER TONES	AMBER LED FLASHES
In programming mode	---	ON
Successful key entry	1 Beep	2 Flashes
Successful code entry	2 Beeps	2 Flashes
Unsuccessful code entry	5 Beeps	5 Flashes
DAP Jumper not replaced	Continuous beeps	Continuous flashes
In standby mode	---	1 Flash in 2-second intervals
Output relay active	1-Second beep	---

## SECO-LARM® U.S.A., Inc.

16842 Millikan Avenue, Irvine, CA 92606

Phone: (949) 261-2999 | (800) 662-0800 Fax: (949) 261-7326

Website: www.seco-larm.com Email: sales@seco-larm.com



Copyright © 2020 SECO-LARM U.S.A., Inc. All rights reserved. All trademarks are the property of SECO-LARM U.S.A., Inc. or their respective owners. The SECO-LARM policy is one of continual development. For that reason, SECO-LARM reserves the right to change prices and specifications without notice. SECO-LARM is not responsible for misprints.

SECO-LARM® ENFORCER® CRIMEBUSTER® CBA SLI®

PI\_SK-1011-SDQ\_200917.docx