



## PRODUCTS

CIN::APSE  
MICROMINIATURE  
D-SUB

### Filter D

► **Introduction**

- Features
- Technical Data
- Part Numbering
- Filter Adapter
- Technical Information

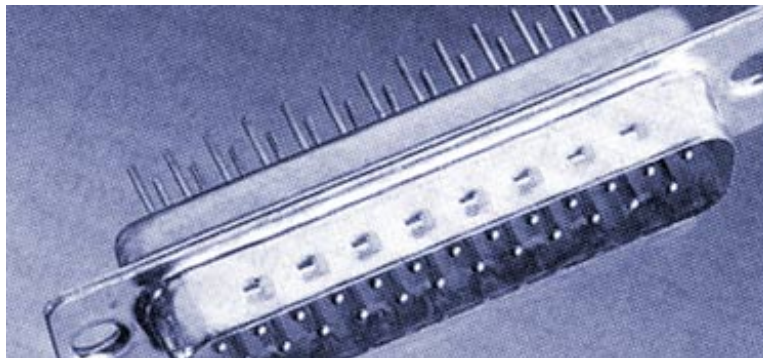
### IDC

- Basic D
- Military D
- Accessories

## OTHER TECHNOLOGY



## FILTER D **INTRODUCTION**



**CINCH has been producing filter connectors for years and has acquired an in depth knowledge of EMC protection.**

CINCH offers fast delivery on a wide range of standard filtered connectors and will be your partner to design the product you need to meet European and FCC regulations.

[Back](#) [Site Map](#) [Print](#)



## PRODUCTS

CIN::APSE  
MICROMINIATURE  
D-SUB

### Filter D

[Introduction](#)

#### ► Features

[Technical Data](#)

[Part Numbering](#)

[Filter Adapter](#)

[Technical Information](#)

[IDC](#)

[Basic D](#)

[Military D](#)

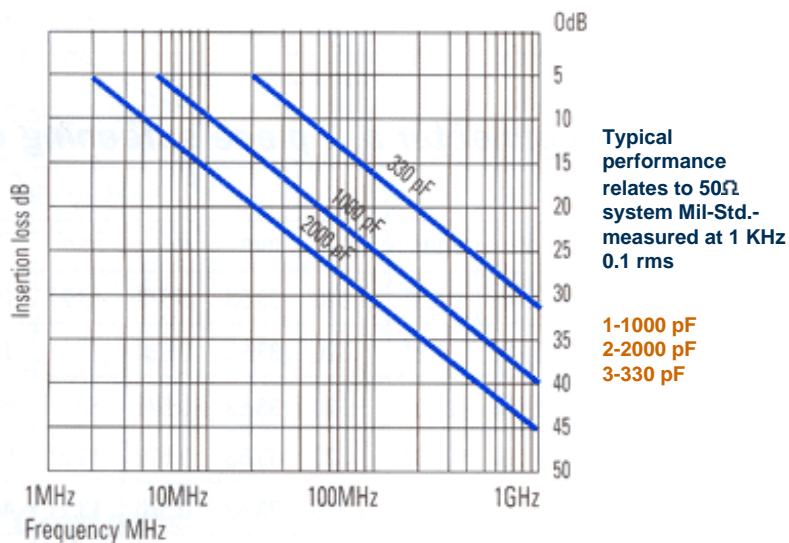
[Accessories](#)

## OTHER TECHNOLOGY



## FILTER D FEATURES

- The Cinch Filter D Sub is a high quality turned pin contact connector.
- Tubular capacitors are individually inserted on each contact.
- The encapsulation of capacitors is made with epoxy for maximum resistance to hazardous environments.
- Cinch filter D Sub have the same size and footprint as standard D Sub connectors.
- Meets the relevant dimensional requirements of CECC 73301-802, Mil-DTL-24308, DIN 41652, BS 9523 F0013, BT 217, HE501.
- Bright tin or nickel finish with grounding indent for EMI/RFI shielding



[Back](#) [Site Map](#) [Print](#)



## PRODUCTS

CIN::APSE  
MICROMINIATURE  
D-SUB

### Filter D

[Introduction](#)  
[Features](#)  
[Technical Data](#)  
[Part Numbering](#)  
[Filter Adapter](#)  
[Technical Information](#)

### IDC

[Basic D](#)  
[Military D](#)  
[Accessories](#)

### OTHER TECHNOLOGY



## FILTER D TECHNICAL DATA

<b>Termination options</b>	Solder bucket, flow solder, Straight & 90°, Mini wrap.				
<b>Number of contacts</b>	9	15	25	27	50
<b>Maximum insertion and extraction force</b>	30	50	83	123	167N
<b>Performance level</b>	1, 2 & 3				
<b>Wire accommodation</b>	≤ 0.5mm (20AWG)				
<b>Plug contact material</b>	Copper alloy				
<b>Socket contact material</b>	Copper alloy				
<b>Current rating</b>	5A				
<b>Capacitance</b>	330pF Tol +50%-20%, 1000pF and 2000pF Tol +80%-20%				
<b>Working voltage</b>	200V d.c. or a.c. peak				
<b>Contact resistance</b>	5 X 10 <sup>-3</sup> ohm max.				
<b>Insulation resistance</b>	≥ 5 X 10 <sup>9</sup> ohm				
<b>Temperature range</b>	-25°C to +85°C				
<b>Insulator materials</b>	High impact Epoxy & GF Polyester UL94V-0 rated				
<b>Shell materials</b>	<b>Front:</b> Steel-Bright tin finish with grounding indents on plugs <b>Rear:</b> Electrolytic Nickel				

[Back](#) [Site Map](#) [Print](#)



## PRODUCTS

CIN::APSE  
MICROMINIATURE  
D-SUB

### Filter D

Introduction  
Features  
Technical Data  
▶ **Part Numbering**  
Filter Adapter  
Technical Information

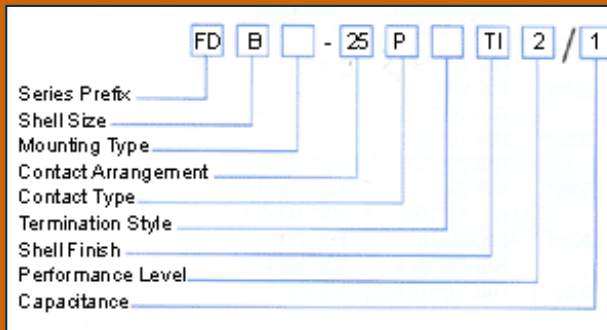
### IDC

Basic D  
Military D  
Accessories

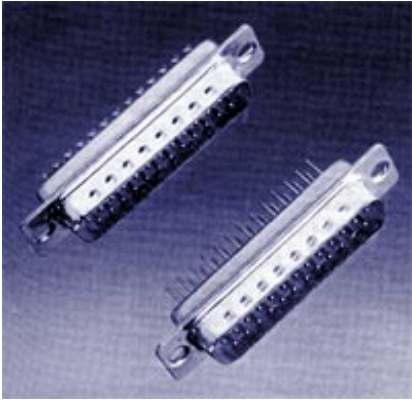
### OTHER TECHNOLOGY



## FILTER D PART NUMBERING



<b>Series Prefix</b>	<b>FD</b>	Filtered D (Standard Prefix)
<b>Shell Size</b>	<b>E,A,B,C, or D</b> (All standard)	
<b>Mounting Type</b>	<b>B</b>	4-40 rivnut for rear panel mounting (Standard)
	<b>P</b>	M3 rivnut for rear panel mounting
	<b>D</b>	With female screw locks fitted
	<b>E</b>	4-40 clinch-nut for rear panel mounting with locking feature for high vibration applications
	<b>Y</b>	Universal float mount
	<b>No designation</b>	Ø3.05mm mounting hole (Standard) 90° Flow Solder versions are not available with float mounts
<b>Contact Arrangement</b>	<b>9, 15, 25, 37, or 50</b> (All standard)	
<b>Contact Type</b>	<b>P or S</b> (Both Standard)	
<b>Termination Style</b>	<b>90° Flow Solder</b>	
<b>European Footprint</b>	<b>1A0N</b>	Without brackets
	<b>1A2N</b>	With plastic brackets and keeper moulding*
	<b>1AEN</b>	With earthing straps on plastic brackets (Standard) with keeper moulding*
	<b>1ASN</b>	With board locks, earthing straps, plastic (Standard) brackets and keeper moulding*
	* Please specify rivnuts or screw locks, mounting types B, P, or D (rivnuts Standard)	
<b>Straight Flow Solder</b>	<b>OL2</b>	Termination 0.6mm, 5.3mm long.
	<b>BL2</b>	As OL2 with vertical Board locks 4/40 threads.
<b>Solder Bucket</b>	<b>No designation required (Standard)</b>	
<b>Shell Finish</b>	<b>T</b>	Bright tin (Standard) Bright tin with grounding indents (plug only)
	<b>TI</b>	Nickel on rear shell (Standard)
<b>Performance Level</b>	<b>1</b>	Exceeds Din Class 2
	<b>2</b>	Din Class 2 (Standard)
	<b>3</b>	Exceed DIN Class 3



<b>Capacitance</b>	<b>1</b>	1000pF
	<b>2</b>	2000pF
	<b>3</b>	330pF

Custom of selectively loaded products available.  
Consult sales or office

---

[Back](#) [Site Map](#) [Print](#)



# PRODUCTS

CIN::APSE  
MICROMINIATURE  
D-SUB

## Filter D

- Introduction
- Features
- Technical Data
- Part Numbering
- ▶ **Filter Adaptor**
- Technical Information

IDC

Basic D

Military D

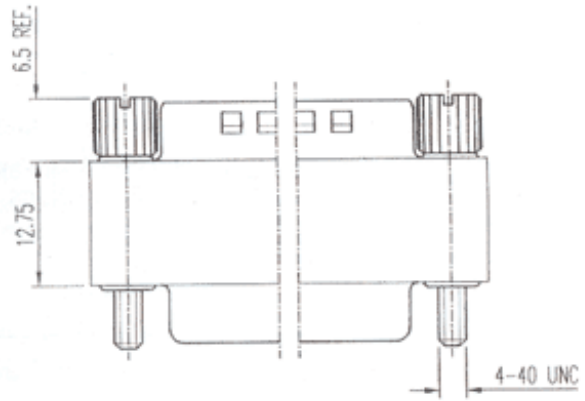
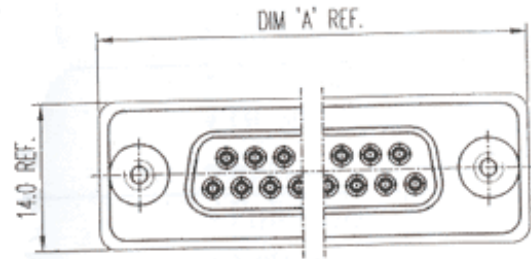
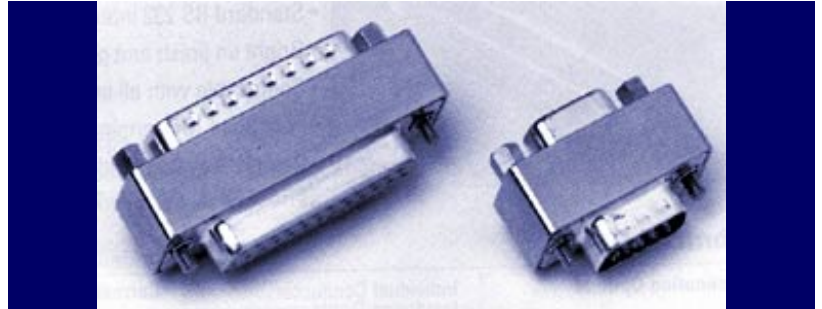
Accessories

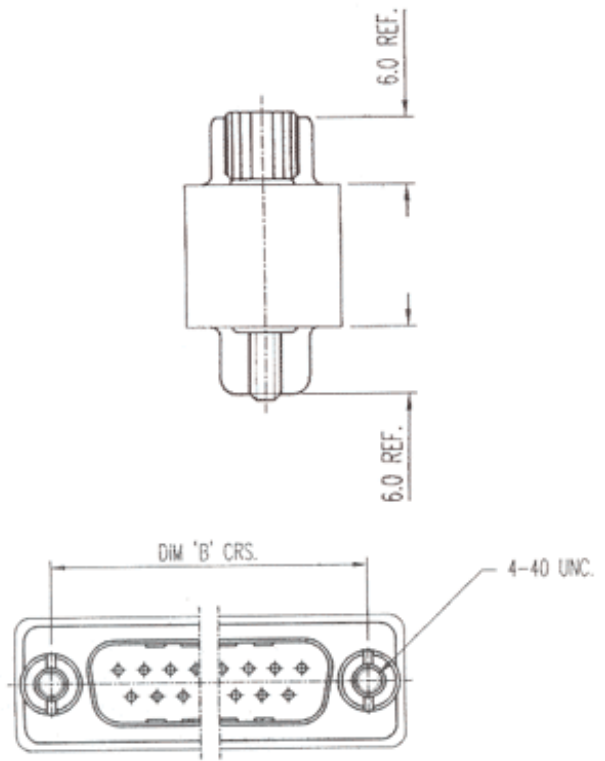
## OTHER TECHNOLOGY



## FILTER D FILTER ADAPTOR

Male / Female Filtering Adapter





[Back](#) [Site Map](#) [Print](#)



## PRODUCTS

CIN::APSE  
MICROMINIATURE  
D-SUB

### Filter D

[Introduction](#)  
[Features](#)  
[Technical Data](#)  
[Part Numbering](#)  
[Filter Adapter](#)

#### ► [Technical Information](#)

[IDC](#)  
[Basic D](#)  
[Military D](#)  
[Accessories](#)

[OTHER TECHNOLOGY](#)



## FILTER D TECHNICAL INFORMATION

Part Number	Working Voltage	Proof Voltage	Capacitance To Ground	Capacitance Tolerance	Temperature Range	DIM "A" REF.	DIM "B" REF.
FA9 PS/1	200V *	500V	1000pF	+80% - 20%	-25°C to +85°C	32.7	24.99
FA9PS/3			330pF	+50% - 20%			
FA15 PS/1	200V *	500V	1000pF	+80% - 20%	-25°C to +85°C	41.0	33.32
FA15 PS/3			330pF	+50% - 20%			
FA25 PS/1	200V *	500V	1000pF	+80% - 20%	-25°C to +85°C	54.9	47.04
FA25 PS/3			330pF	+50% - 20%			
FA37 PS/1	200V *	500V	1000pF	+80% - 20%	-25°C to +85°C	71.2	63.50
FA37 PS/3			330pF	+50% - 20%			

\*DC or AC PEAK

**GENERAL SPECIFICATION - MECHANICAL, ELECTRICAL & ENVIRONMENTAL PERFORMANCE IN LINE WITH REQUIREMENTS OF DIN CLASS 2**

[Back](#) [Site Map](#) [Print](#)





## PRODUCTS

CIN::APSE  
MICROMINIATURE  
D-SUB

Filter D

IDC

► Features

Technical Data

IDC D Hood

Basic D

Military D

Accessories

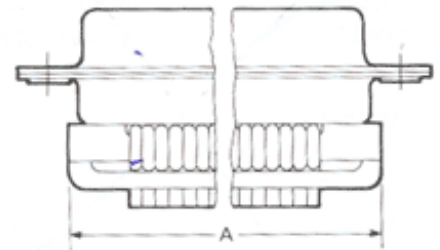
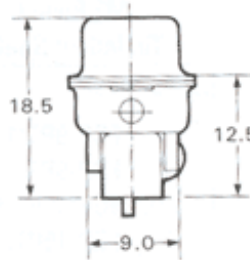
## OTHER TECHNOLOGY



## IDC FEATURES



- High speed mass termination
- Low profile
- Steel shell for maximum strength
- Strain relief included
- Standard RS 232 interface
- UL 94V-0 rated insulators & strain relief
- Bright tin finish & grounding indents for EMI/RFI shielding
- Compatible with all other D Subminiatures
- Backshell & jack screws available.



Number of Contacts	A
9	20.2
15	28.6
25	42.3
37	58.8

[Back](#) [Site Map](#) [Print](#)



## PRODUCTS

CIN::APSE  
MICROMINIATURE  
D-SUB

[Filter D](#)  
[IDC](#)  
[Basic D](#)  
[Military D](#)

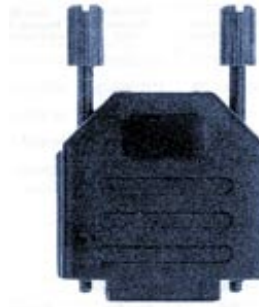
### Accessories

- ▶ [Introduction](#)
- [Hoods](#)
- [Clamps](#)
- [Hardware](#)
- [Tooling](#)

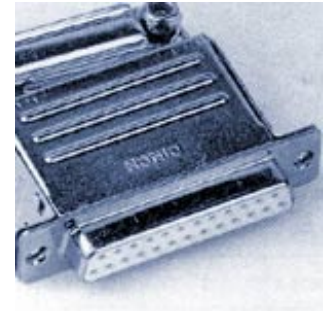
## OTHER TECHNOLOGY



## ACCESSORIES [INTRODUCTION](#)



[Hoods](#)



[Clamps](#)



[Tooling](#)



[Hardware](#)

[Back](#) [Site Map](#) [Print](#)