



MCR-8-02-L-00.50-S-BC



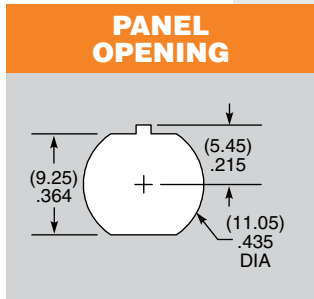
MCR SERIES

IP67 SEALED 8 SERIES PANEL ASSEMBLY

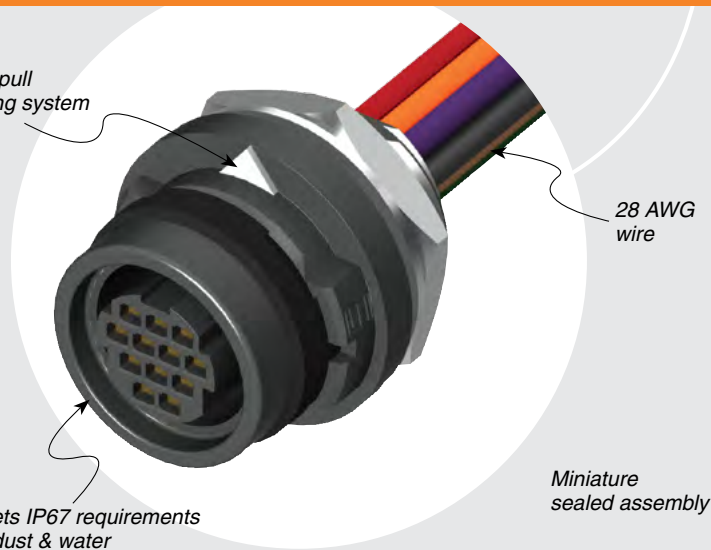
FEATURES

- IP67 dust and water protected when submerged 1 m deep for 30 minutes
- Lightweight plastic shell
- Push-pull latching system
- 11.05 mm (.435") DIA panel opening
- Polarizing keys protect from misalignment
- Visual alignment indicators
- Cable-to-cable or cable-to-panel solutions

Mates with:
MCP(K)



Push-pull latching system



28 AWG wire

Miniature sealed assembly

Meets IP67 requirements for dust & water

SPECIFICATIONS

For complete specifications see www.samtec.com?MCR

- Insulator Material:** PPS
- Contact Material:** Phosphor Bronze
- Operating Temp Range:** -20 °C to +80 °C
- Gasket Material:** Neoprene Rubber
- Lock Washer:** Phosphor Bronze, Ni plated
- Hex Nut:** Brass, Ni plated
- RoHS Compliant:** Yes

COMPONENTS

- For body, see www.samtec.com?MCRK
- For contacts, see www.samtec.com?CC393

DUST CAPS

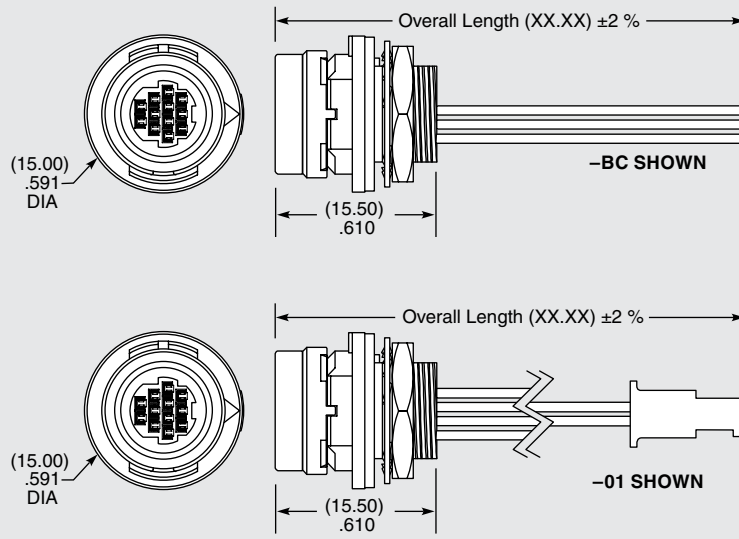
- DCA-MCR-8
- Visit sealedio.samtec.com for a complete list of sealed systems

ALSO AVAILABLE (MOQ Required)

- Other lengths
- Contact Samtec.

Note: Samtec's MCR Series is dual sourced by Hirose Electric Co., LTD.

MCR	8	LEAD STYLE	PLATING	LENGTH	END 1 OPTION	END 2 OPTION
		-02 = 12 positions, 28 AWG	-L = 10 μ" (0.25 μm) Gold on contact area	-00.25 = 0.25 meter -00.50 = 0.50 meter Standard lengths	-S = Socket	-BC = Blunt Cut (Color wire only, see chart) -01 = 2x6 SFSD (Pin1 to Pin1) (Black wire only)



APPLICATION

-BC CABLE COLOR CODING	
PIN	COLOR
1	BROWN
2	RED
3	ORANGE
4	YELLOW
5	GREEN
6	DARK BLUE
7	VIOLET
8	GRAY
9	WHITE
10	BLACK
11	GREEN/BLACK
12	TAN