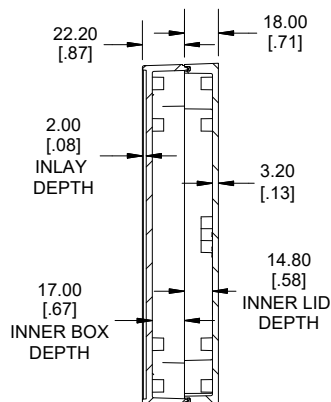
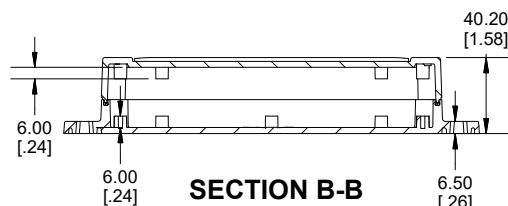
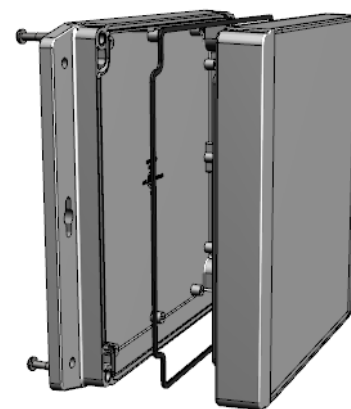


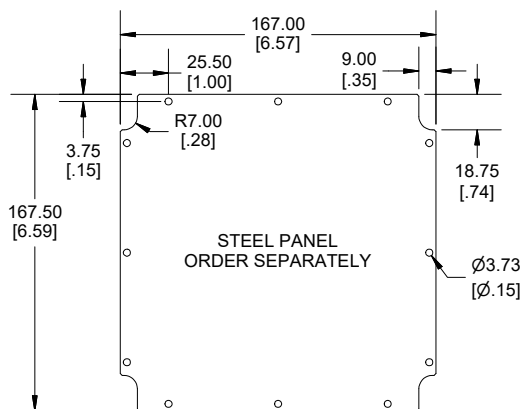
**ENCLOSURE ASSEMBLY TOP VIEW**



**SECTION A-A  
END VIEW**



**SECTION B-B  
SIDE VIEW**

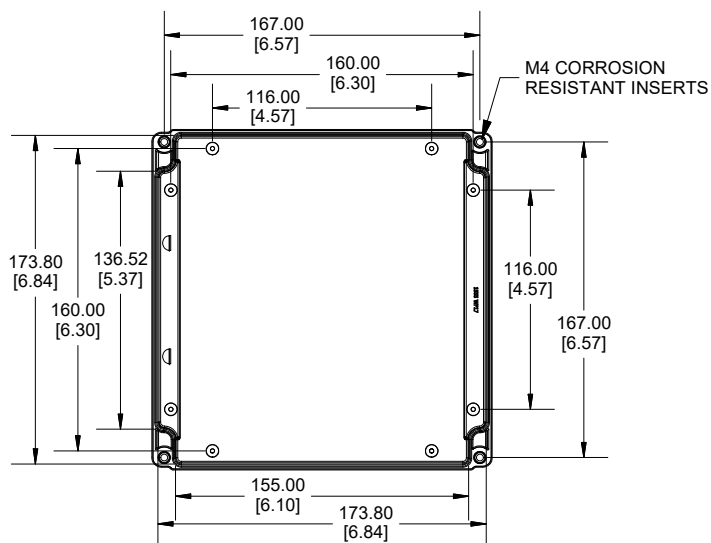


**STEEL PANEL  
ORDER SEPARATELY**

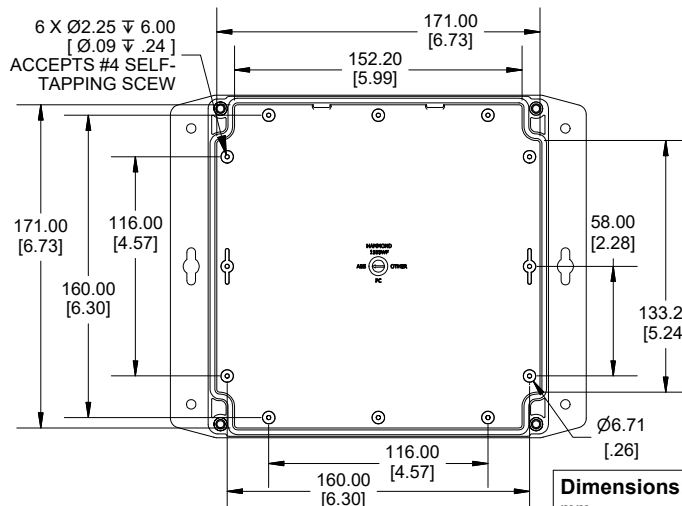
POLYCARBONATE  
VERSION ONLY  
UL US LISTED  
FILE #E65324  
TYPE 4,4X,6,6P

Enclosures can be Factory Modified (Milling, Drilling, Printing etc.)  
Contact Factory (modshop@hammfg.com) for quotes  
Solid models of this enclosure available in .stp or .x\_t  
(Part number and text placement/orientation on our products are subject to change,  
we do not recommend using them as a locating reference for modification purposes)

NOTE	
Purchased assembly includes styled box, flanged lid, 4 cover screws, and preformed silicone gasket.	
General Purpose ABS version is not UL approved. (Matl UL94 - HB)	
Polycarbonate version is UL 508 approved. (Matl UL94 - 5VA @ 3mm)	
<b>Recommended Cover screw torque -- 2.5 lbf-in (30 cN-m)</b>	



**INSIDE BOX VIEW**



**INSIDE LID VIEW**

**Dimensions:**  
mm  
[inches]

1555WF	
1555WF Regular Enclosure	
General Purpose ABS RAL-7035	1555WF17GY
Polycarbonate RAL-7035	1555W2F17GY
ACCESSORIES	
Steel Inner Panels	1554WPL
Silicone Pre-formed Gasket Black (Pkg 2)	1554WGASKET
Steel Panel / P.C. Board Self Tapping Screw [#4 X 1/4" (6.4mm) Plated]	1555TS100
Stainless Steel Cover Screws [M4-0.7 X 20mm] (Pkg 50)	SC576-50

**HAMMOND  
MANUFACTURING.**  
**1555WF17**  
www.hammondmfg.com