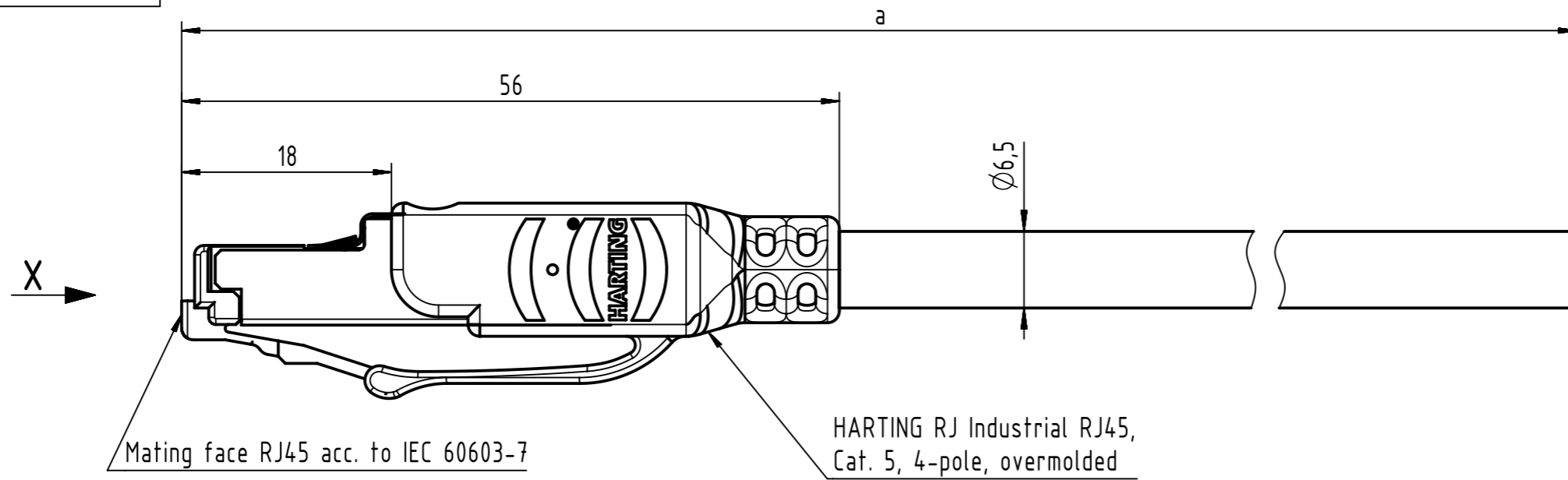
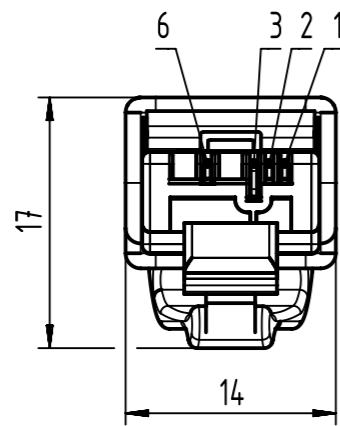


Connector Location A

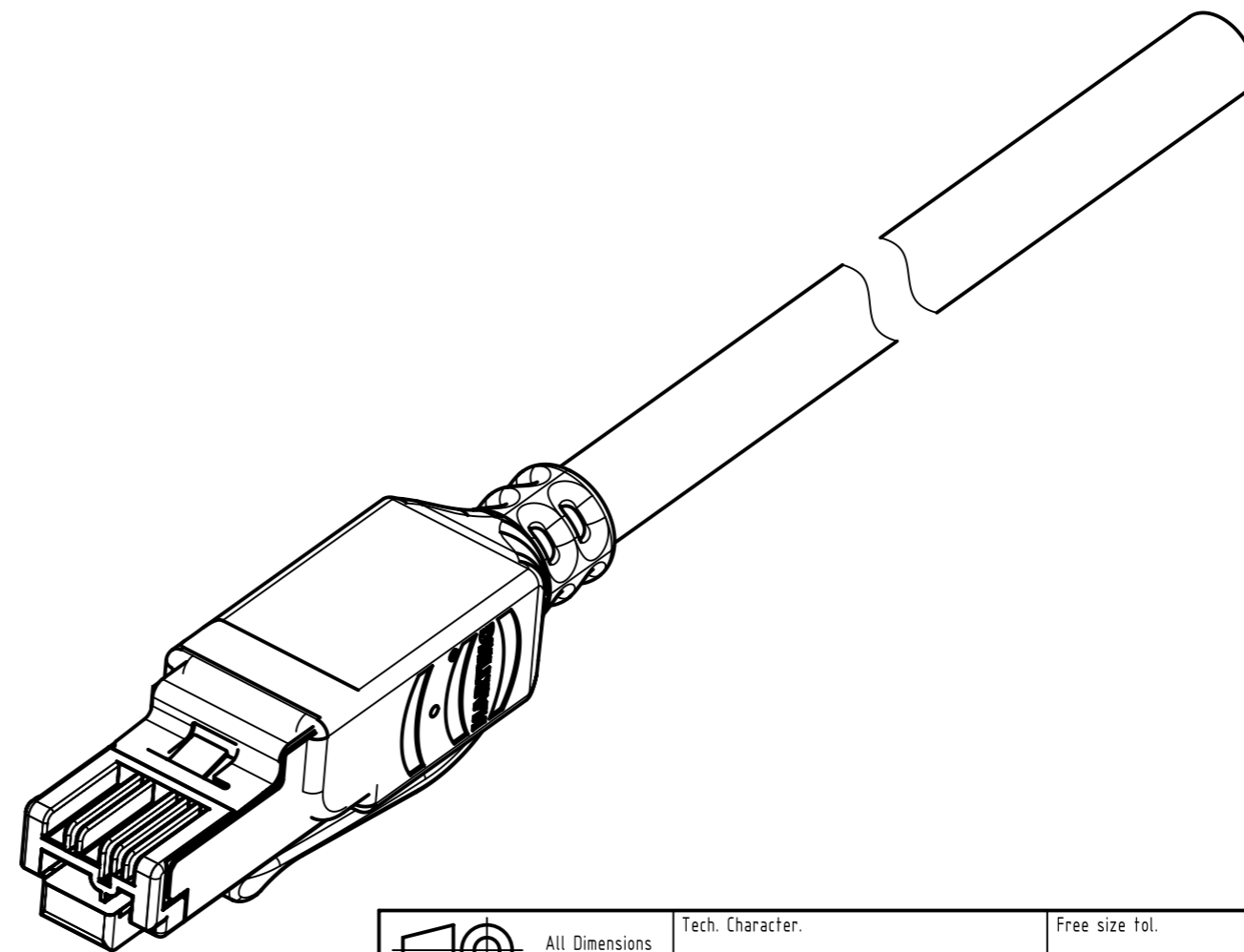
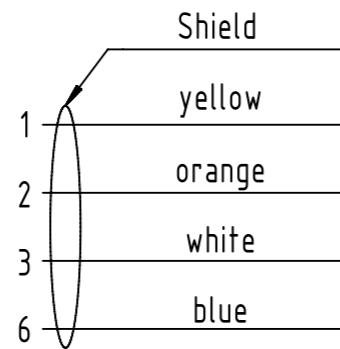
Connector Location B



X
male

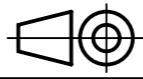



Loading Plan



- Protection level: IP20
- Temperature range: -40°C ... +70°C

	All rights reserved		Created by COSTEA Costea		Inspected by STOCHECIC Stochechi		Standardisation MUNTEANV Muntean		Date 2019-07-18		State Final Release	
	Department HCS - RO		Title RJ Industrial Cable Assembly		Doc-Key / ECM-Nr. 100081054/UGD/054/E 500000156154		Rev. E		Page 1/2			
HARTING Customised Solutions D-32339 Espelkamp		Type TB		Number 09457710XXX								

1	2	3	4	5	6	7	8					
A	52	09457710128	RJl Ethernet Stranded Cable, 4xAWG 22/7, PVC, Cat. 5+, green	6	RJl Ethernet Trailing Cable, 4xAWG 22/7, PUR, Cat. 5+, green		100					
	51	09457710127		5			90					
	50	09457710126		4			88	80				
	49	09457710125		3			87	70				
	48	09457710124		2			86	60				
	47	09457710123		1.5			85	50				
	46	09457710122		1			84	40				
	45	09457710121		0.5			83	30				
B	44	09457710132		100			82	25				
	43	09457710120		90			81	20				
	42	09457710119	80	80	15							
	41	09457710118	70	79	10							
	40	09457710117	60	78	9							
	39	09457710116	50	77	8							
	38	09457710115	40	76	7							
	37	09457710114	30	75	6							
	36	09457710113	20	74	5							
	35	09457710112	15	73	4							
	34	09457710111	10	72	3							
	33	09457710110	9	71	2							
C	32	09457710109	8	70	1.5							
	31	09457710108	7	69	1							
	30	09457710107	6	68	0.6							
	29	09457710106	5	67	0.5							
	28	09457710105	4	66	100							
	27	09457710104	3	65	90							
	26	09457710103	2	64	80							
	25	09457710102	1.5	63	70							
	24	09457710101	1	62	60							
	23	09457710100	0.5	61	50							
D	22	09457710083	100	60	40							
	21	09457710082	90	59	30							
	20	09457710081	80	58	20							
	19	09457710080	70	57	15							
	18	09457710079	60	56	10							
	17	09457710078	50	55	9							
	16	09457710077	40	54	8							
	15	09457710076	30	53	7							
	14	09457710075	20	Cont. no.	Part no.	Type of cable	Dim. a[m]					
	13	09457710074	15	 All Dimensions in mm <table border="1" data-bbox="1632 1743 2908 1816"> <tr> <td>Tech. Character.</td> <td>Free size tol.</td> <td>According to production drawing</td> </tr> </table>				Tech. Character.	Free size tol.	According to production drawing		
Tech. Character.	Free size tol.	According to production drawing										
	12	09457710073	10	 All rights reserved <table border="1" data-bbox="1632 1827 2908 1911"> <tr> <td>Created by COSTEA Costea</td> <td>Inspected by STOCHECIC Stochechi</td> <td>Standardisation MUNTEANV Muntean</td> <td>Date 2019-07-18</td> <td>State Final Release</td> </tr> </table>				Created by COSTEA Costea	Inspected by STOCHECIC Stochechi	Standardisation MUNTEANV Muntean	Date 2019-07-18	State Final Release
Created by COSTEA Costea	Inspected by STOCHECIC Stochechi	Standardisation MUNTEANV Muntean	Date 2019-07-18	State Final Release								
	11	09457710072	9	Title RJ Industrial Cable Assembly <table border="1" data-bbox="1632 1911 2908 1963"> <tr> <td>Doc-Key / ECM-Nr. 100081054/UGD/054/E 500000156154</td> </tr> </table>				Doc-Key / ECM-Nr. 100081054/UGD/054/E 500000156154				
Doc-Key / ECM-Nr. 100081054/UGD/054/E 500000156154												
	10	09457710071	8	HARTING Customised Solutions <table border="1" data-bbox="1632 1963 2908 2016"> <tr> <td>Type TB</td> <td>Number 09457710XXX</td> <td>Rev. E</td> <td>Page 2/2</td> </tr> </table>				Type TB	Number 09457710XXX	Rev. E	Page 2/2	
Type TB	Number 09457710XXX	Rev. E	Page 2/2									
	9	09457710070	7									
	8	09457710069	6									
	7	09457710068	5									
	6	09457710067	4									
	5	09457710066	3									
	4	09457710065	2									
	3	09457710064	1.5									
	2	09457710063	1									
	1	09457710062	0.5									
F	Cont. no.	Part no.	Type of cable	Dim. a[m]								
	1											
	2											
	3											
	4											
	5											
	6											
	7											
	8											