

## D-Sub Connectors

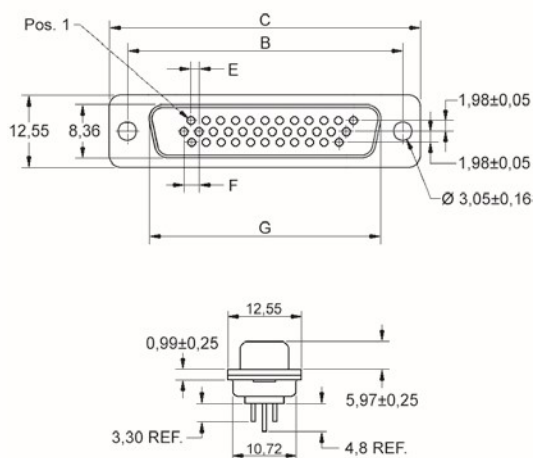
### HDD-Series – DIP Solder (PCB-Type)

#### Material Specification:

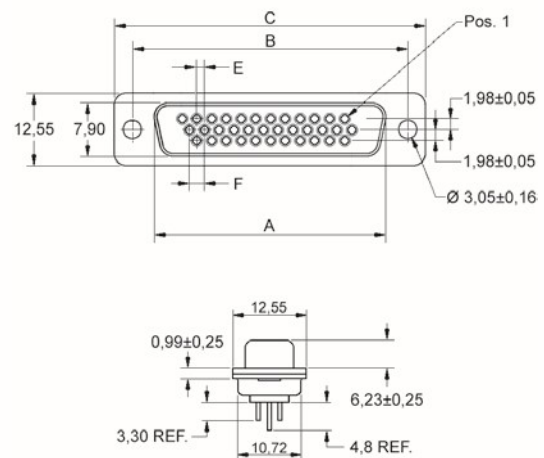
Insulator:	Glass filled Polyester, Black UL94 V-0
Shell:	Stamped Steel, Tin Plated
Contacts:	Copper Alloy Class 3: 100 inserts min.
Contact Plating:	Selective Gold over Nickel



Plug connector



Socket connector

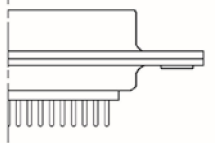


Size	A	B	C	E	F	G
HD15	16,33	24,99	30,81	1,145	2,99	16,62
HD26	24,66	33,32	39,14	1,145	2,99	25,25
HD44	38,38	47,04	53,04	1,145	2,99	38,96
HD62	54,84	63,50	69,32	1,205	2,41	55,25

#### Order Codes - Standard Type - with Ø 3.05mm Through Hole

##### Option X (Standard)

Ø 3.05mm Holes



##### Plug Connector

15	2103-0300-01	HDD-15-MTBS
26	2103-0300-02	HDD-26-MTBS
44	2103-0300-03	HDD-44-MTBS
62	2103-0300-04	HDD-62-MTBS

##### Socket Connector

15	2103-0300-11	HDD-15-FTBS
26	2103-0300-12	HDD-26-FTBS
44	2103-0300-13	HDD-44-FTBS
62	2103-0300-14	HDD-62-FTBS



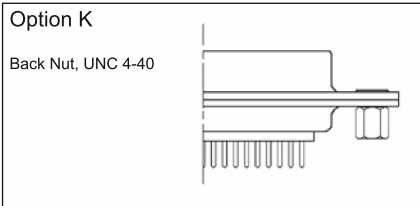
**Encitech AB**  
Rörkullsvägen 4  
SE-302 41 HALMSTAD, Sweden

Tel: +46-(0)35-15 13 90  
e-mail: connectors@encitech.com

[www.encitech.com](http://www.encitech.com)

## D-Sub Connectors

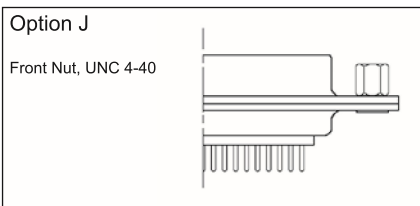
### Order Codes - Option K - Back Nut UNC 4-40



Plug Connector			
15	2103-0301-01	HDD-15-MTBS-K	
26	2103-0301-02	HDD-26-MTBS-K	
44	2103-0301-03	HDD-44-MTBS-K	
62	2103-0301-04	HDD-62-MTBS-K	

Socket Connector			
15	2103-0301-11	HDD-15-FTBS-K	
26	2103-0301-12	HDD-26-FTBS-K	
44	2103-0301-13	HDD-44-FTBS-K	
62	2103-0301-14	HDD-62-FTBS-K	

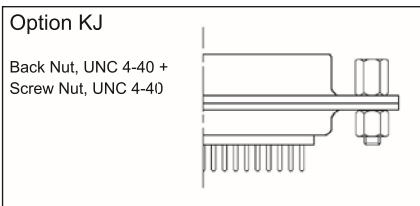
### Order Codes - Option J - Front Nut UNC 4-40



Plug Connector			
15	2103-0302-01	HDD-15-MTBS-J	
26	2103-0302-02	HDD-26-MTBS-J	
44	2103-0302-03	HDD-44-MTBS-J	
62	2103-0302-04	HDD-62-MTBS-J	

Socket Connector			
15	2103-0302-11	HDD-15-FTBS-J	
26	2103-0302-12	HDD-26-FTBS-J	
44	2103-0302-13	HDD-44-FTBS-J	
62	2103-0302-14	HDD-62-FTBS-J	

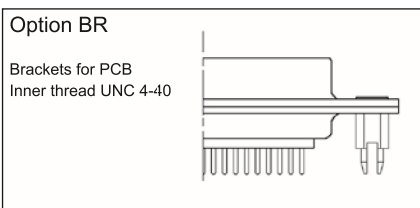
### Order Codes - Option KJ - Back Nut + Screw Nut UNC 4-40



Plug Connector			
15	2103-0303-01	HDD-15-MTBS-KJ	
26	2103-0303-02	HDD-26-MTBS-KJ	
44	2103-0303-03	HDD-44-MTBS-KJ	
62	2103-0303-04	HDD-62-MTBS-KJ	

Socket Connector			
15	2103-0303-11	HDD-15-FTBS-KJ	
26	2103-0303-12	HDD-26-FTBS-KJ	
44	2103-0303-13	HDD-44-FTBS-KJ	
62	2103-0303-14	HDD-62-FTBS-KJ	

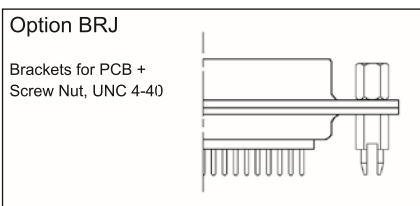
### Order Codes - Option BR - Brackets for PCB with inner thread UNC 4-40



Plug Connector			
15	2103-0304-01	HDD-15-MTBS-BR	
26	2103-0304-02	HDD-26-MTBS-BR	
44	2103-0304-03	HDD-44-MTBS-BR	
62	2103-0304-04	HDD-62-MTBS-BR	

Socket Connector			
15	2103-0304-11	HDD-15-FTBS-BR	
26	2103-0304-12	HDD-26-FTBS-BR	
44	2103-0304-13	HDD-44-FTBS-BR	
62	2103-0304-14	HDD-62-FTBS-BR	

### Order Codes - Option BR - Brackets for PCB with Screw Nut UNC 4-40



Plug Connector			
15	2103-0305-01	HDD-15-MTBS-BRJ	
26	2103-0305-02	HDD-26-MTBS-BRJ	
44	2103-0305-03	HDD-44-MTBS-BRJ	
62	2103-0305-04	HDD-62-MTBS-BRJ	

Socket Connector			
15	2103-0305-11	HDD-15-FTBS-BRJ	
26	2103-0305-12	HDD-26-FTBS-BRJ	
44	2103-0305-13	HDD-44-FTBS-BRJ	
62	2103-0305-14	HDD-62-FTBS-BRJ	

