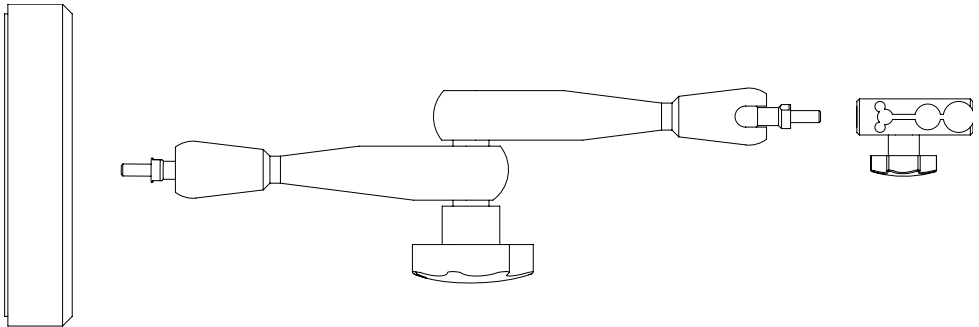


3D Probe-Positioners

Instruction Manual

The 3D Probe Positioner is delivered in three single components: Base [A], positioner [B] and probe holder [C]. Screw the positioner [B] to the base [A] and tighten it with a combination wrench (width across flats 7 mm). The base is available in four different variants: Steel base, vacuum base, table clamp or magnet foot.

Finally screw the probe holder [C] to the other side of the positioner and tighten it with a combination wrench (width across flats 7 mm), too.

[A]**[B]****[C]**

Clamping the Probe

Release the holder tensioning knob [E] and clamp the probe into the probe holder [C], as shown in the figure. To fix the probe turn the holder tensioning knob [E] contrary until the probe is fixed.

Three different sizes of opening ports are available at the probe holder, which can be used for different probe dimensions.

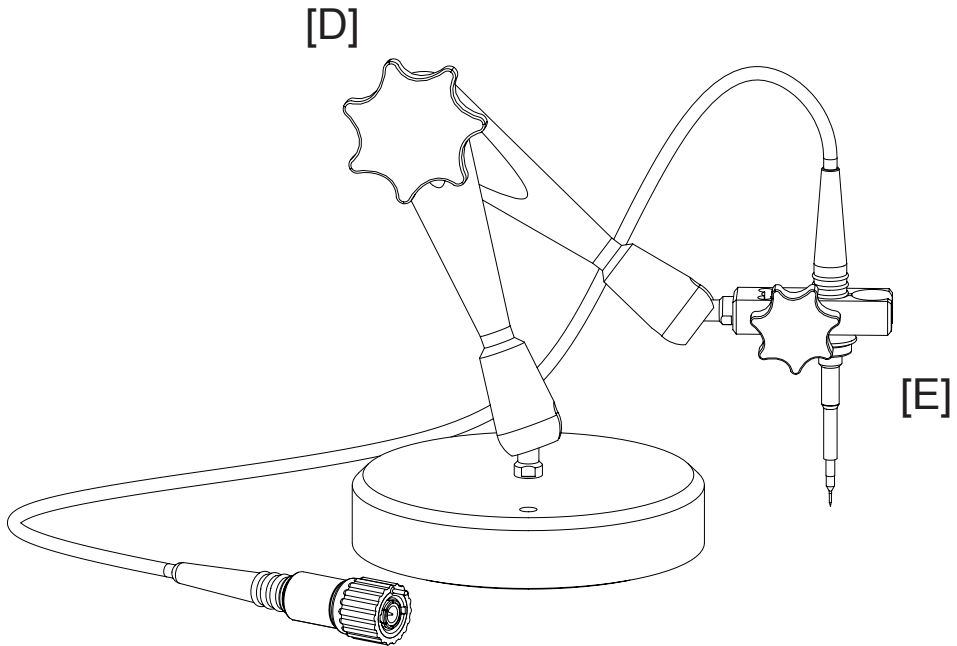
Handling

3D Probe-Positioners

The 3D Probe Positioner can be operated easily.

Hold the 3D Probe Positioner and loosen the central tensioning knob [D] until the 3D Probe Positioner can be moved. Bring the 3D Probe Positioner into the desired position and fix the device by turning the central tensioning knob [D] contrary. With the spring tip of PMK probes you can set precisely the contact to the measuring point.

Attention: Do not release the tensioning knob [D] completely, since otherwise the 3D Probe Positioner collapses in itself and could damage your measuring setup!



Maintenance and General Notes

Basically the 3D Probe Positioner is maintenance-free. However if the device is exposed to pollution, regular cleaning is necessary.

Remove dust and dirt from the joints.

For cleaning purposes use standard cleaning agents commercially available (don't use any lyes or acids!).

Apply a little amount of lubricant to the screws and joints.

PMK 3D Scope-Probe Positioner

Order-No.	Type	Description	
893-350-001	MSA 100	PMK Probe-Positioner with steel base, span width 200 mm	(HAL512)
893-350-002	MSB 40	PMK Probe-Positioner with table clamp, span width 200 mm	(HAL512)
893-350-003	MSC 85	PMK Probe-Positioner with vacuum clamp, span width 200 mm	(HAL512)
893-350-004	MSM 130	PMK Probe-Positioner with magnet foot, span width 130 mm	(HAL512)
893-350-005	MSM 200	PMK Probe-Positioner with magnet foot, span width 200 mm	(HAL512)
893-350-006	MSU 1500	PMK Probe-Positioner with steel base, span width 200 mm	(UNI HOLD)

Accessories and Spares for 3D Probe-Positioners

Order-No.	Typ	Description	
893-100-001	STS 100	1200g heavy steel base, \varnothing 100 mm, Positioner collet M6	
893-100-002	TIK 40	Table clamp with a clamping range up to 40 mm for table edges and pipes, 2 collets M6	
893-100-003	VAS 85	Vacuum cup M8 incl. 1 x adapter to M6, \varnothing 85 mm	
893-100-004	TM 170	Magnet foot 170 N M6 \varnothing 30 mm	
893-100-005	TM 300	Magnet foot 300 N M8 incl. 1 x adapter to M6, \varnothing 30 mm	
893-200-130	STV 130	PMK 3D Probe Positioner, span length 130 mm, both sided M6	
893-200-200	STV 200	PMK 3D Probe Positioner, span length 200 mm, both sided M6	
893-050-000	HAL 512	Holder for PMK probes and other probing devices with \varnothing 5-12 mm, M6	
893-000-M86	GAD M86	Screw adapter M8/M6 SW 13 mm	
893-090-000	UNI HOLD	PMK universal Probe Holder "Uniholder" for PMK Probes and other Readings recorders with \varnothing 1.5-17 mm, M6	

Manufacturer

PMK GmbH
Mess- und Kommunikationstechnik
Königsteiner Straße 98
D-65812 Bad Soden, Germany

Internet: www.pmk.de

Phone: +49 (0) 6196 5927 - 930

E-Mail: sales@pmk.de

Fax: +49 (0) 6196 5927 - 939

Warranty

PMK GmbH warrants this oscilloscope accessory for normal use and operation within specifications for a period of two (2) years from date of shipment and will repair or replace any defective product which was not damaged by negligence, misuse, improper installation, accident or unauthorized repair or modification by the buyer. This warranty is applicable only to defects due to material or workmanship. PMK GmbH disclaim any other implied warranties of merchantability or fitness for a particular purpose. PMK GmbH will not be liable for any indirect, special, incidental, or consequential damages (including damages for loss of profits, loss of business, loss of use or data, interruption of business and the like), even if PMK GmbH has been advised of the possibility of such damages arising from any defect or error in this manual or product.

Copyright © 2015 PMK GmbH All rights reserved.

Information in this publication supersedes that in all previously published material. Specifications are subject to change without notice.