

USB-C - USB-C Cable

Features

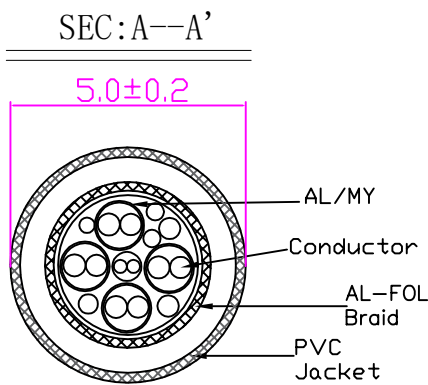
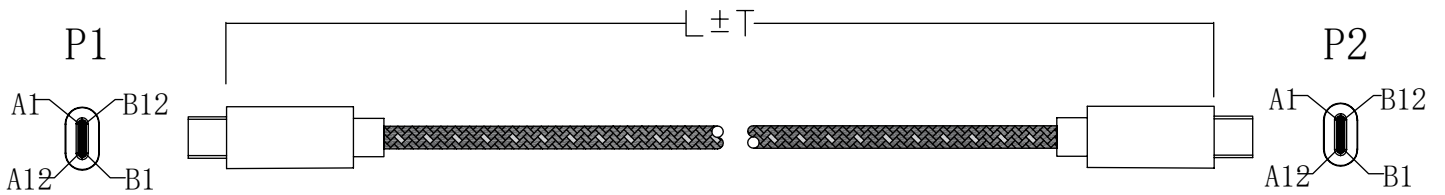
- USB 3.1 offering speeds of up to 10 Gbps
- PVC sheath offering excellent durability and protection
- Gold plated connectors offering a reliable connection
- Suitable for a wide range of applications



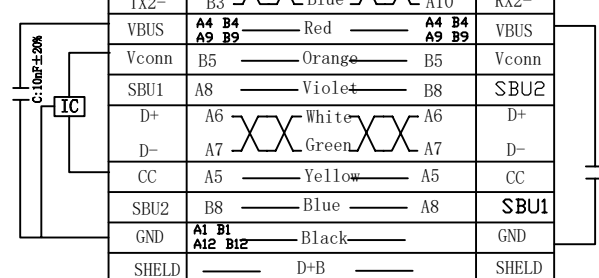
Specification

Cable Design	Round
Connector A	USB-C Plug
Connector B	USB-C Plug
Cross-Section AWG	32;22 AWG
External Material	PVC
Jacket Colour	Grey
Length	1 m
USB Type	USB 3.1
Plating Material	Shelf - Gold, Pin - Gold
Outside Diameter	5 mm
Insulation Resistance	300 VDC - 10 MOhm
Conductor Resistance	5 Ohm

Drawing



Circuit Diagram				
Signal	P1	wire color	P2	Signal
TX1+	A2	Green	B11	RX1+
TX1-	A3	Yellow	B10	RX1-
RX1+	B11	Orange	A2	TX1+
RX1-	B10	Brown	A3	TX1-
RX2-	A10	Red	B3	TX2-
RX2+	A11	White	B2	TX2+
TX2+	B2	Black	A11	RX2+
TX2-	B3	Blue	A10	RX2-
VBUS	A4 B4 A9 B9	Red	A4 B4 A9 B9	VBUS
Vconn	B5	Orange	B5	Vconn
SBU1	A8	Violet	B8	SBU2
D+	A6	White	A6	D+
D-	A7	Green	A7	D-
CC	A5	Yellow	A5	CC
SBU2	B8	Blue	A8	SBU1
GND	A1 B1 A12 B12	Black		GND
SHELD		D+B		SHELD



Art. Nr.
RND 765-00304