

GN 720 | Stop locks 4 positions at 90°

Zinc alloy



LEVER BODY

Die cast zinc alloy, epoxy resin coating.

COLOUR

RAL 9005 (SW) black, matte finish.

RAL 9006 (SR) light grey, matte finish.

SET SCREW

AISI 304 stainless steel countersunk head screws with hexagon socket.

LOCKING MECHANISM

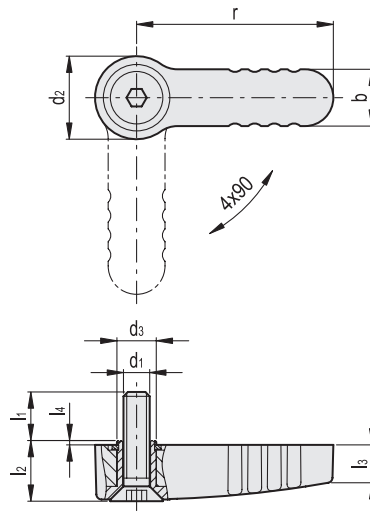
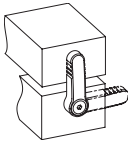
Stainless steel

FEATURES AND APPLICATIONS

GN 720 locks are suitable for clamping, by means of the lever rotation, drawers or doors in applications subject to strong vibrations.

Locking position of the lever every 90°.

The locking of the lever position is freely selectable by clamping the countersunk head screw.



Code	Description	r	d1	b	d2	d3	l1	l2	l3	l4	Max load [N]	⚖️
GN.39341	GN 720-45-M6-A-SR	45	M6	13	19	9	12	13	8.5	0.5	500	58
GN.39343	GN 720-45-M6-A-SW	45	M6	13	19	9	12	13	8.5	0.5	500	58
GN.39346	GN 720-65-M8-A-SR	65	M8	18	25	14	14	16	10.5	0.6	1000	130
GN.39347	GN 720-65-M8-A-SW	65	M8	18	25	14	14	16	10.5	0.6	1000	130

- 1
- 2
- 3
- 4
- 5
- 6
- 7
- 8
- 9
- 10
- 11
- 12
- 13
- 14
- 15
- 16
- 17
- 18

Latches

1419