

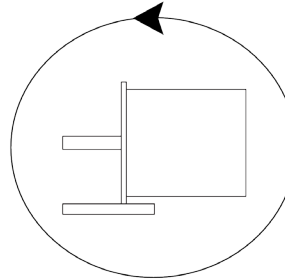
**Part Number: MS24 (Alternate Part No: S1425)**  
**Movement / Vibration Sensor**  
**Product Data Sheet**

**PICTURE**



✓ RoHS Compliant

**OPERATION**

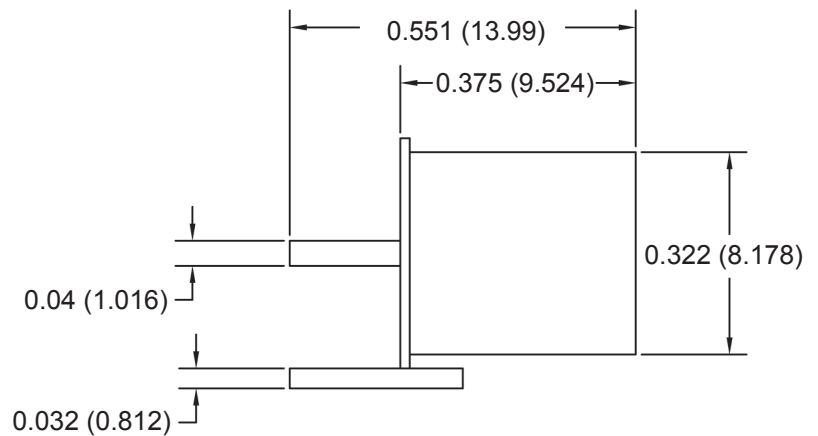
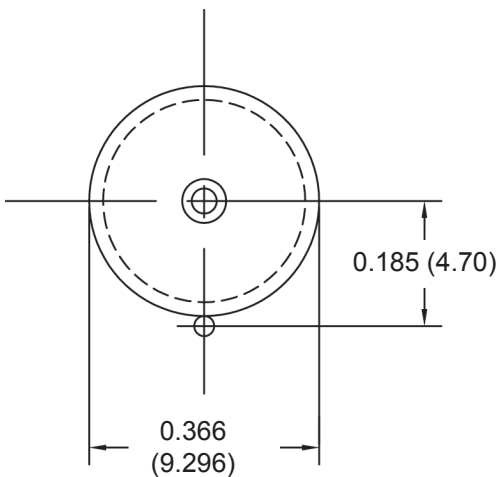


SWITCH MAY BE ON OR OFF IN ANY POSITION. WILL EXHIBIT CHANGE OF STATE UPON MOVEMENT.

**FEATURES**

- Resistant to Ambient Environmental Conditions
- Case Material : Gold Plated
- Hermetically Sealed & Inert Gas Filled

**DIMENSIONS**



Drawings not to scale.  
 All dimensions in inches (mm) nominal.

**SPECIFICATION**

Contact Capacity	25 mA MAX, 24 VDC MAX
Contact Resistance	100 Ohms
Operating Temperature	-37° +100°C

As part of the company policy of continued product improvement, specifications may change without notice. Our sales office will be pleased to help you with the latest information on this product range and the details of our full design and manufacturing service. All products are supplied to our standard conditions of sale unless otherwise agreed in writing.

**Phone: (1) 973 777 6900**

**www.comus-intl.com**

**Fax: (1) 973 777 8405**

Belgium: + 32 (0)12 390400 - Comus Europe Ltd (Assemtch) UK: +44 (0) 1255 862236 - Germany: +49 (0)911 923 15 943 - Netherlands: +31(0)45 54 39 345 - India: +(91) (44) 43219090  
 ©2015 Copyright Comus International, 454 Allwood Road, Clifton NJ 07012, USA