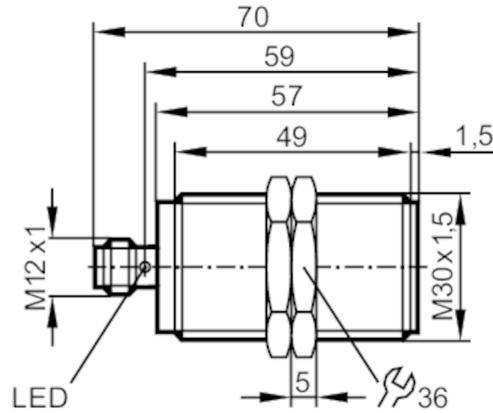


# DTM436



## RFID read/write head with CAN interface and SAE J 1939 protocol

DTMHF IBRWCJUS03



Application		
Radio approval for	Europe; USA; Canada; Japan; Australia; China; Taiwan; India; Singapore; Ukraine	
Electrical data		
Operating voltage [V]	9...32 DC	
Current consumption [mA]	< 50 (24 V) / < 80 (12 V)	
Protection class	III	
Operating frequency [MHz]	13,56	
RFID standard	ISO 15693	
Detection zone		
Distance write/read head front [mm]	120	
Distance write/read head side [mm]	60	
Distance to the ID tag [mm]	≤ 30	
Interfaces		
Communication interface	CAN	
CAN		
Protocol	J1939	
Operating conditions		
Ambient temperature [°C]	-40...85	
Storage temperature [°C]	-40...85	
Protection	IP 67; IP 69K	
Tests / approvals		
EMC	EN 301489-3	V 1.6.1
Shock resistance	EN 60068-2-27	40 g 6 ms / repetitive
	EN 60068-2-27	50 g 11 ms / not repetitive
Vibration resistance	EN 60068-2-6	20 g 10...2000 Hz
Radio approval	EN 302 291-2 V1.1.1 / EN 300 330-2 V1.5.1	
MTTF [years]	477	

# DTM436



## RFID read/write head with CAN interface and SAE J 1939 protocol

DTMHF IBRWCJUS03

### Mechanical data

Weight [g]	198.5
Housing	threaded type
Dimensions [mm]	M30 x 1.5 / L = 70
Thread designation	M30 x 1.5
Materials	housing: stainless steel; Protective cover: PPS; connector housing: PEI

### Displays / operating elements

Display	operation	1 x LED, green
	CAN communication	1 x LED, red
	tag communication	1 x LED, yellow

### Remarks

Pack quantity	1 pcs.
---------------	--------

### Electrical connection

- 1 not used
- 2 U+
- 3 GND
- 4 CAN\_H
- 5 CAN\_L

Connector: 1 x M12

