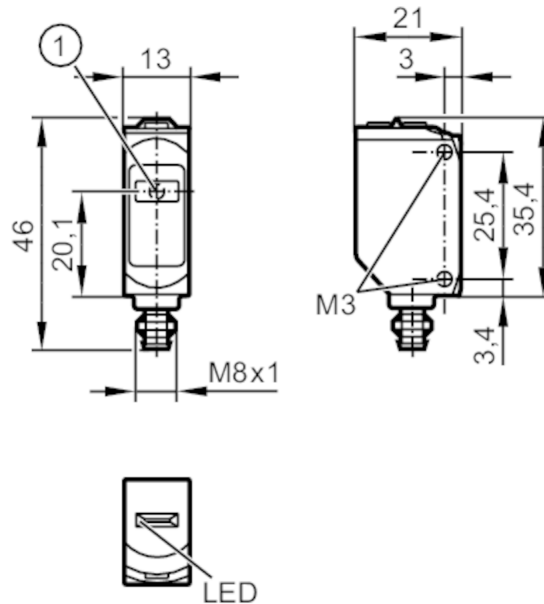


# O6S702



## Through-beam sensor transmitter

O6SLOOKG/AS/4P



1 light emission



### Product characteristics

Type of light	red light
Communication interface	IO-Link
Laser protection class	1
Housing	rectangular
Dimensions [mm]	46 x 13 x 21

### Application

Function principle	Through-beam sensor
--------------------	---------------------

### Electrical data

Operating voltage [V]	10...30 DC
Current consumption [mA]	10; ((24 V))
Protection class	III
Type of light	red light
Wave length [nm]	650

### Detection zone

Transmitter / receiver	transmitter
Range [m]	< 15
Diameter of the smallest detectable object [mm]	7; (15 m)
Max. light spot diameter [mm]	35
Light spot dimensions refer to	at maximum range



## Through-beam sensor transmitter

O6SLOOKG/AS/4P

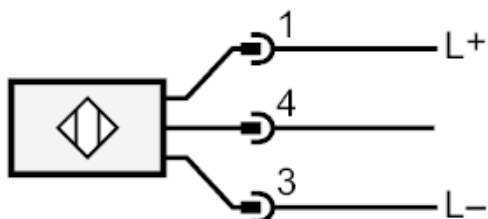
Interfaces		
Communication interface	IO-Link	
Transmission type	COM2 (38,4 kBaud)	
IO-Link revision	1.1	
SDCI standard	IEC 61131-9	
IO-Link device ID	523d / 00020Bh	
Profiles	Smart Sensor: Device Identification, Device Diagnosis	
SIO mode	no	
Required master port type	A	
Operating conditions		
Ambient temperature [°C]	-10...60	
Protection	IP 65; IP 67	
Tests / approvals		
EMC	EN 60947-5-2	
Laser protection class	1	
Notes on laser protection	Caution:	laser light
	laser class:	1
		EN / IEC60825-1:2007
		EN / IEC60825-1:2014
		Complies with 21 CFR 1040 except for deviations pursuant to Laser Notice No. 50, dated June 2007.
MTTF [years]	697	
Mechanical data		
Weight [g]	18.4	
Housing	rectangular	
Dimensions [mm]	46 x 13 x 21	
Materials	housing: ABS; PPSU; Sealing: EPDM	
Lens material	PMMA	
Lens alignment	side lens	
Tightening torque [Nm]	0.5	
Displays / operating elements		
Display	operation	1 x LED, green
Remarks		
Remarks	operating voltage "supply class 2" according to cULus	
Pack quantity	1 pcs.	
Electrical connection - plug		
Connector: 1 x M8		



## Through-beam sensor transmitter

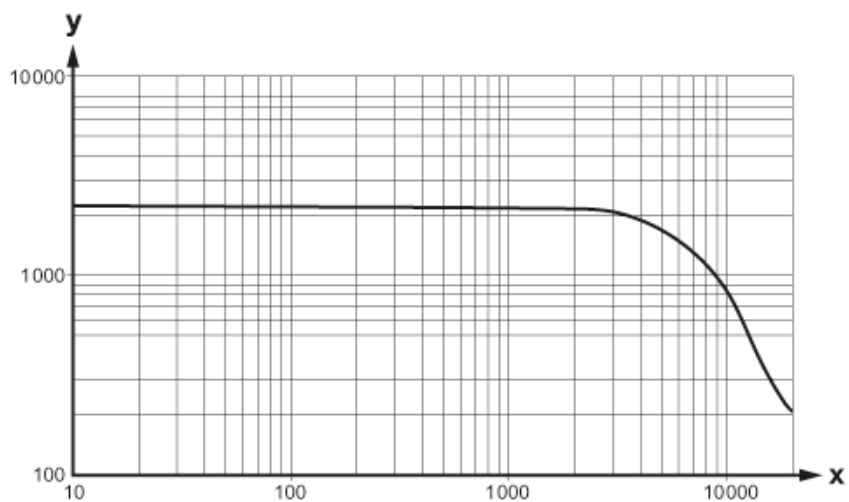
O6SLOOKG/AS/4P

### Connection



4 IO-Link

### Diagrams and graphs



x: Abstand [mm]

y: Funktionsreservfaktor