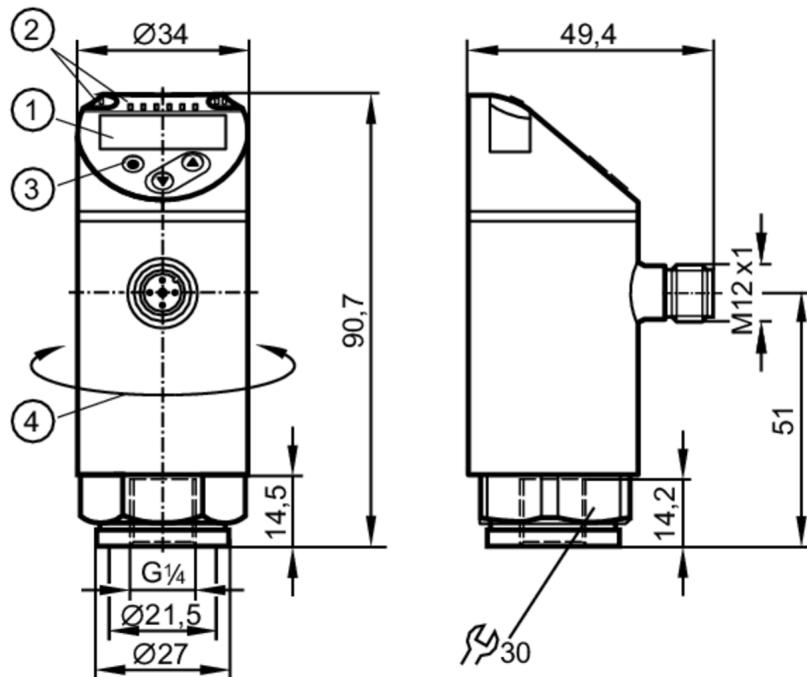


PN7011



Pressure sensor with display

PN-250-SER14-QFRKG/US/ IV



- 1 alphanumeric display 4-digit red/green
- 2 LEDs Display unit / switching status
- 3 programming button
- 4 upper part of the housing can be rotated 345°



Product characteristics

Output signal	switching signal; IO-Link; (configurable)
Measuring range [MPa]	0...25
Process connection	threaded connection G 1/4 internal thread

Application

Special feature	Gold-plated contacts
Measuring element	metallic thin film cell
Application	for industrial applications
Media	liquids and gases
Medium temperature [°C]	-25...80
Pressure rating [MPa]	50
Min. bursting pressure [MPa]	110
Type of pressure	relative pressure

PN7011



Pressure sensor with display

PN-250-SER14-QFRKG/US/ IV

Electrical data	
Operating voltage [V]	18...30 DC; (according to EN 50178 SELV/PELV)
Current consumption [mA]	< 35
Min. insulation resistance [MΩ]	100; (500 V DC)
Protection class	III
Reverse polarity protection	yes
Power-on delay time [s]	0.3
Integrated watchdog	yes
Inputs / outputs	
Number of inputs and outputs	Number of digital outputs: 2
Outputs	
Total number of outputs	2
Output signal	switching signal; IO-Link; (configurable)
Electrical design	PNP/NPN
Number of digital outputs	2
Output function	normally open / normally closed; (parameterisable)
Max. voltage drop switching output DC [V]	2.5
Permanent current rating of switching output DC [mA]	150; (200 (...60 °C) 250 (...40 °C))
Switching frequency DC [Hz]	< 170
Short-circuit protection	yes
Type of short-circuit protection	pulsed
Overload protection	yes
Measuring/setting range	
Measuring range [MPa]	0...25
Factory setting / CMPT = 2	
Set point SP [MPa]	0.2...25
Reset point rP [MPa]	0.1...24.9
Min. difference between SP and rP [MPa]	0.2
In steps of [MPa]	0.1
Status_B High Resolution / CMPT = 3	
Set point SP [MPa]	0.2...25
Reset point rP [MPa]	0.1...24.9
Min. difference between SP and rP [MPa]	0.2
In steps of [MPa]	0.1
Accuracy / deviations	
Switch point accuracy [% of the span]	< ± 0,5
Repeatability [% of the span]	< ± 0,1; (with temperature fluctuations < 10 K)
Characteristics deviation	< ± 0,25 (BFSL) / < ± 0,5 (LS); (BFSL = Best Fit Straight Line; LS = limit value setting)

PN7011



Pressure sensor with display

PN-250-SER14-QFRKG/US/ IV

	[% of the span]	
Hysteresis deviation	[% of the span]	< ± 0,25
Long-term stability	[% of the span]	< ± 0,05; (per 6 months)
Temperature coefficient zero point	[% of the span / 10 K]	0,2; (-25...80 °C)
Temperature coefficient span	[% of the span / 10 K]	0,2; (-25...80 °C)

Response times

Response time	[ms]	< 3
Delay time programmable dS, dr	[s]	0...50

Software / programming

Parameter setting options	hysteresis / window; normally open / normally closed; switching logic; switch-on/switch-off delay; Damping; Display unit
---------------------------	--

Interfaces

Communication interface	IO-Link	
Transmission type	COM2 (38,4 kBaud)	
IO-Link revision	1.1	
SDCI standard	IEC 61131-9	
SIO mode	yes	
Required master port type	A; (when pin 2 not connected: B)	
Supported DeviceIDs	Type of operation	DeviceID
	Factory setting / CMPT = 2	436 d / 00 01 b4 h
	Status_B High Resolution / CMPT = 3	621 d / 00 02 6d h
Note	For further information please see the IODD PDF file at "Downloads"	

Factory setting / CMPT = 2

Profiles	Smart Sensor: Process Data Variable; Device Identification, Device Diagnosis	
Min. process cycle time	[ms]	2.3
IO-Link resolution pressure	[MPa]	0.1
IO-Link resolution pressure	[MPa]	0.1
IO-Link functions (cyclical)	function	bit length
	pressure	14
	binary switching information	2
IO-Link functions (acyclical)	application specific tag	

PN7011



Pressure sensor with display

PN-250-SER14-QFRKG/US/ IV

Status_B High Resolution / CMPT = 3		
Profiles	Smart Sensor ED2: Digital Measuring Sensor (0x000A), Identification and Diagnosis (0x4000)	
Min. process cycle time [ms]	3	
IO-Link resolution pressure [MPa]	0.01	
IO-Link resolution pressure [MPa]	0.01	
IO-Link functions (cyclical)	function	bit length
	pressure	16
	device status	4
	binary switching information	2
IO-Link functions (acyclical)	application specific tag	
Operating conditions		
Ambient temperature [°C]	-25...80	
Storage temperature [°C]	-40...100	
Protection	IP 65; IP 67	
Tests / approvals		
EMC	DIN EN 61000-6-2	
	DIN EN 61000-6-3	
Shock resistance	DIN EN 60068-2-27	50 g (11 ms)
Vibration resistance	DIN EN 60068-2-6	20 g (10...2000 Hz)
MTTF [years]	214	
UL approval	UL Approval no.	J003
Pressure Equipment Directive	Sound engineering practice; can be used for group 2 fluids; group 1 fluids on request	
Mechanical data		
Weight [g]	221.5	
Materials	1.4542 (17-4 PH / 630); stainless steel (1.4404 / 316L); PBT+PC-GF30; PBT-GF20; PC	
Materials (wetted parts)	1.4542 (17-4 PH / 630)	
Min. pressure cycles	100 million	
Tightening torque [Nm]	25...35; (recommended tightening torque; depends on lubrication, seal and pressure rating)	
Process connection	threaded connection G 1/4 internal thread	
Restrictor element integrated	no (can be retrofitted)	
Displays / operating elements		
Display	Display unit	3 x LED, green (MPa)
	switching status	2 x LED, yellow
	measured values	alphanumeric display, red/green 4-digit
Remarks		
Pack quantity	1 pcs.	
Electrical connection		
Connector: 1 x M12; Contacts: gold-plated		

PN7011

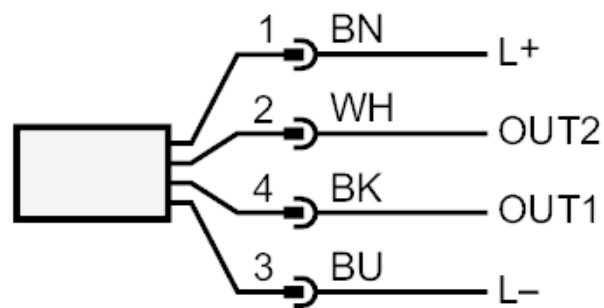


Pressure sensor with display

PN-250-SER14-QFRKG/US/ IV



Connection



OUT1 switching output

IO-Link

OUT2 switching output

colours to DIN EN 60947-5-2

Core colours :

BK = black

BN = brown

BU = blue

WH = white