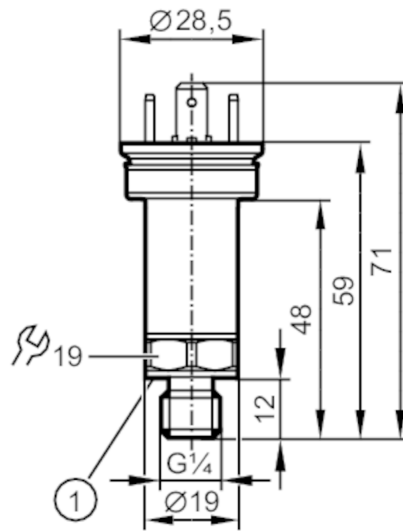


# PT5015



## Pressure transmitter

PT-006-SEG14-A-ZVG/VE



1 Sealing



### Product characteristics

Output signal	analogue signal			
Measuring range	0...6 bar	0...87 psi	0...600 kPa	0...0.6 MPa
Process connection	threaded connection G 1/4 external thread (DIN EN ISO 1179-2)			

### Application

Measuring element	metallic thin film cell			
Application	for mobile applications; for industrial applications			
Media	liquids and gases			
Medium temperature [°C]	-40...125			
Pressure rating	15 bar	215 psi	1.5 MPa	
Note on pressure rating	static			
Min. bursting pressure	200 bar	2900 psi	20 MPa	
Vacuum resistance [mbar]	-1000			
Type of pressure	relative pressure			

### Electrical data

Operating voltage [V]	8...36 DC			
Min. insulation resistance [MΩ]	100; (500 V DC)			
Protection class	III			
Reverse polarity protection	yes			
Power-on delay time [s]	0.1			

### Inputs / outputs

Number of inputs and outputs	Number of analogue outputs: 1			
------------------------------	-------------------------------	--	--	--

# PT5015



## Pressure transmitter

PT-006-SEG14-A-ZVG/VE

Outputs				
Output signal	analogue signal			
Number of analogue outputs	1			
Analogue current output [mA]	4...20			
Max. load [ $\Omega$ ]	$(U_b - 8 \text{ V}) / 23 \text{ mA}$			
Min. load [ $\Omega$ ]	$(U_b - 22,5 \text{ V}) / 23 \text{ mA}$			
Short-circuit proof	yes			
Overload protection	yes			
Measuring/setting range				
Measuring range	0...6 bar	0...87 psi	0...600 kPa	0...0.6 MPa
Accuracy / deviations				
Repeatability [% of the span]	$< \pm 0,05$ ; (with temperature fluctuations $< 10 \text{ K}$ )			
Characteristics deviation [% of the span]	$< \pm 0,5$ ; (incl. drift when overtightened, zero point and span error, non-linearity, hysteresis)			
Linearity deviation [% of the span]	$< \pm 0,1$ (BFSL) / $< \pm 0,2$ (LS)			
Hysteresis deviation [% of the span]	$< \pm 0,2$			
Long-term stability [% of the span]	$< \pm 0,1$ ; (per 6 months)			
Temperature coefficient zero point [% of the span / 10 K]	$< \pm 0,1$ (0...80 °C); $< \pm 0,2$ (-40...0 °C / 80...125 °C)			
Temperature coefficient span [% of the span / 10 K]	$< \pm 0,1$ (0...80 °C); $< \pm 0,2$ (-40...0 °C / 80...125 °C)			
Response times				
Step response time analogue output [ms]	2			
Operating conditions				
Ambient temperature [°C]	-40...100			
Storage temperature [°C]	-40...100			
Protection	IP 67			
Tests / approvals				
EMC	Compliant with ECE R 10, rev. 5	(E1 compliant)		
	DIN EN 13309 : 2010	construction machines		
	DIN EN ISO 13766-1 : 2018	earthworks and construction machines		
	DIN EN ISO 14982 : 2009	agricultural and forestry machines		
	ISO 11452-2	100 V/m		
	ISO 7637-2 : 2011 pulse 1	Test severity III. function state C		
Shock resistance	DIN EN 61326-1			
Vibration resistance	DIN EN 60068-2-27	500 g (1 ms)		
	DIN EN 60068-2-6	20 g (10...2000 Hz)		
MTTF [years]	715			
Pressure Equipment Directive	Sound engineering practice; can be used for group 2 fluids; group 1 fluids on request			

# PT5015



## Pressure transmitter

PT-006-SEG14-A-ZVG/VE

Mechanical data	
Weight [g]	67
Materials	1.4542 (17-4 PH / 630); stainless steel (1.4404 / 316L); PPS
Materials (wetted parts)	1.4542 (17-4 PH / 630); stainless steel (1.4305 / 303)
Min. pressure cycles	60 million; (at 1.2 times nominal pressure)
Tightening torque [Nm]	25...35; (recommended tightening torque; depends on lubrication, seal and pressure rating)
Process connection	threaded connection G 1/4 external thread (DIN EN ISO 1179-2)
Process connection sealing	FKM (to DIN 3869)
Restrictor element integrated	yes

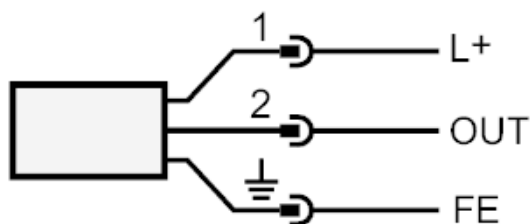
Remarks	
Remarks	BFSL = Best Fit Straight Line LS = limit value setting
Pack quantity	1 pcs.

### Electrical connection

Connector: 1 x valve plug type A DIN (EN17501-803-A); Maximum cable length: 30 m



### Connection



OUT            analogue output  
FE             functional earth

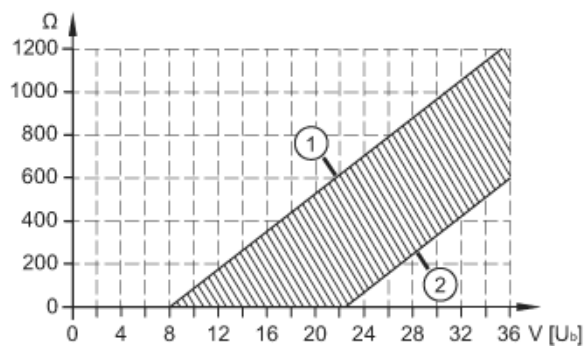
# PT5015

## Pressure transmitter

PT-006-SEG14-A-ZVG/VE



### Diagrams and graphs



1: Max. load

2: min. load