

Model number

Mounting Set AL2109 back board

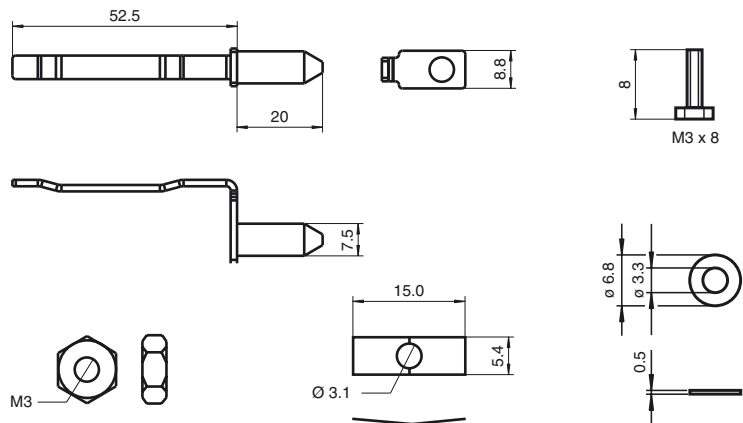
Mounting aid

Features

- Mounting set for backboard mounting of the elevator light curtains AL2109
- Variety of possible uses in the areas of doors and elevators
- Simple and fast mounting

Mounting set for profile rear of elevator light curtains AL2109

Dimensions



Technical data

Mechanical specifications

Mass approx. 30 g

Suitable series

Series TTA AL21

Installation instructions

