

Knurled Nuts • DIN 6303

24480.0212



Product Description

Material

- Stainless steel 1.4305

Assembly

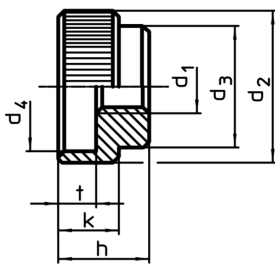
Form B: after being bored through the pin hole is to be situated within the tolerance field H7.

More information

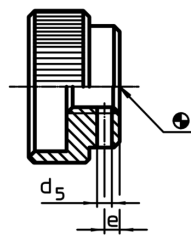
Notes

Knurling pitch and knurling depth may differ from DIN.

Drawing



picture 1

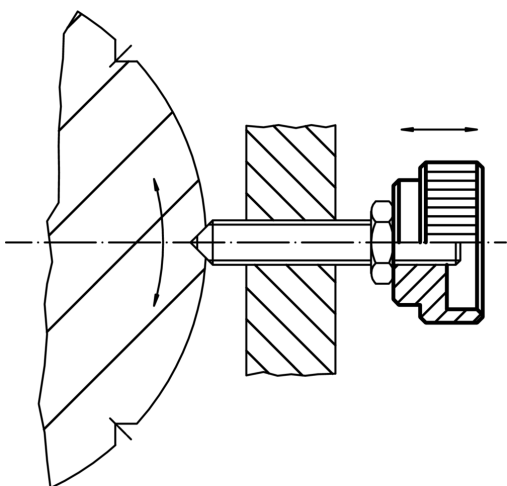


picture 2

Order information

d ₁	d ₂	d ₃	Dimensions				[g]	Art. No.
			d ₄ [mm]	h	k	t		
without pin hole, form A – picture 1, stainless steel								
M12	40	32	34	24	16	10	120	24480.0212

Application example



Compliance

RoHS compliant

Compliant according to Directive 2011/65/EU and Directive 2015/863

Does not contain SVHC substances

No SVHC substances with more than 0.1% w/w contained - SVHC list [REACH] as of 10.06.2022

Does not contain Proposition 65 substances

No Proposition 65 substances included
<https://www.P65Warnings.ca.gov/>

Free from Conflict Minerals

This product does not contain any substances designated as "conflict minerals" such as tantalum, tin, gold or tungsten from the Democratic Republic of Congo or adjacent countries.