

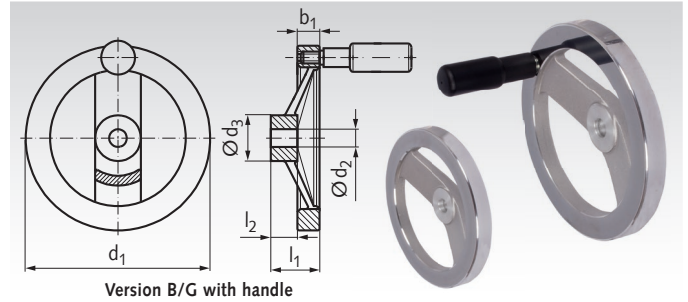
Spoked Handwheels 320

Material: Aluminium, gravity die-cast.
Revolving cylindrical handle made from plastic with threaded steel stud and Allen screw. Hub machined, rim of wheel turned and polished all over.

Hub length and bore diameter according to DIN 950.

Version B/A: Without keyway, without handle.
Version N/A: With keyway DIN 6885-1, without handle.
Version B/G: Without keyway, with handle.
Version N/G: With keyway DIN6885-1, with handle.

Ordering Details: e.g.: Product No. 670 703 00, Spoked Handwheel 320
Version B/A, 125 mm



Version B/G with handle

Product No.	Product No.	Product No.	Product No.	d ₁	d ₂ ^{H7}	d ₃	b ₁	l ₁	l ₂	Handle Ø	Handle Length	Weight without H.	Weight with H.
Vers. B/A	Vers. N/A	Vers. B/G	Vers. N/G	mm	mm	mm	mm	mm	mm	mm	mm	g	g
670 703 00	670 703 01	670 712 00	670 712 01	125	12	31	15	33	18	22	61,5	311	383
670 704 00	670 704 01	670 714 00	670 714 01	140	14	34	16,5	36	19	24	76,5	411	486
670 705 00	670 705 01	670 716 00	670 716 01	160	14	36	18	39	20	24	76,5	539	643
670 706 00	670 706 01	670 720 00	670 720 01	200	18	42	20,5	45	24	25	86,5	892	996
670 707 00	670 707 01	670 725 00	670 725 01	250	22	48	23	51	28	25	86,5	1478	1598

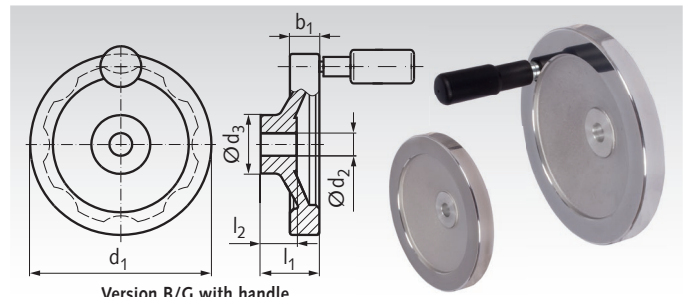
Solid-Disk Handwheels 326

Material: Aluminium, gravity die-cast.
Revolving cylindrical handle made from plastic with threaded steel stud and Allen screw. Hub machined, rim of wheel turned and polished all over.

Hub length and bore diameter according to DIN 950.

Version B/A: Without keyway, without handle.
Version N/A: With keyway DIN 6885-1, without handle.
Version B/G: Without keyway, with handle.
Version N/G: With keyway DIN6885-1, with handle.

Ordering Details: e.g.: Product No. 670 801 00, Solid-Disk Handwheel 326
Version B/A, 80 mm



Version B/G with handle

Product No.	Product No.	Product No.	Product No.	d ₁	d ₂ ^{H7}	d ₃	b ₁	l ₁	l ₂	Handle Ø	Handle Length	Weight without H.	Weight with H.
Vers. B/A	Vers. N/A	Vers. B/G	Vers. N/G	mm	mm	mm	mm	mm	mm	mm	mm	g	g
670 801 00	670 801 01	-	-	80	10	26	13	26	16	-	-	134	-
670 802 00	670 802 01	670 810 00	670 810 01	100	10	31	14	30	17	18	58,5	215	255
670 803 00	670 803 01	670 812 00	670 812 01	125	12	31	15	33	18	22	61,5	318	394
670 804 00	670 804 01	670 814 00	670 814 01	140	14	34	16,5	36	19	24	76,5	431	507
670 805 00	670 805 01	670 816 00	670 816 01	160	14	36	18	39	20	24	76,5	570	675
670 806 00	670 806 01	670 820 00	670 820 01	200	18	42	20,5	45	24	25	86,5	885	990
670 807 00	670 807 01	670 825 00	670 825 01	250	22	48	23	51	28	25	86,5	1552	1626

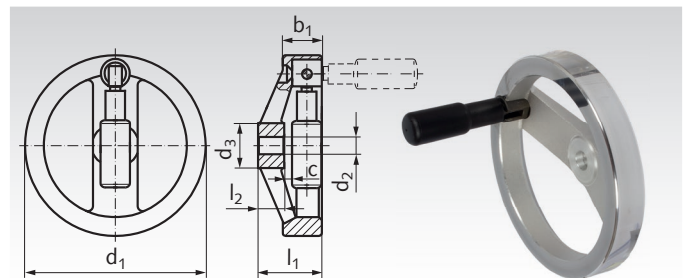
Handwheels with Retractable Handle 3223

Material: Aluminium gravity die-cast, hub machined, rim turned and polished. Parts of the folding mechanism: Steel hardened and black oxide finished.

These handwheels are used in applications where the handle must not stick out. Handle and folding mechanism are fully encased in the rim. The handle is locked in the operating position. To retract it, the handle is pulled out of its taper seat and then tilted. A compression spring locks the handle in both end positions.

Version B/G: Without keyway.
Version N/G: With keyway DIN 6885-1.

Ordering Details: e.g.: Product No. 670 512 00, Handwheel with Retractable Handle 3223,
Vers. B/G, 125 mm



Product No.	Product No.	d ₁	d ₂ ^{H7}	d ₃	b ₁	c	l ₁	l ₂	Handle Ø	Handle Length	Weight g
Vers. B/G	Vers. N/G	mm	mm	mm	mm	mm	mm	mm	mm	mm	g
670 512 00	670 512 01	125	12	31	24,5	6,5	44	18	22	61,5	469
670 516 00	670 516 01	160	14	36	25	6,5	47	20	24	76,5	697
670 520 00	670 520 01	200	18	42	25	7,5	52,5	24	24	86,5	978